

INDEX OF WIRING DIAGRAMS

- DIAGRAM 1** Sample Diagram: How To Read & Interpret Wiring Diagrams
- DIAGRAM 2** Wiring Diagram Symbols
- DIAGRAM 3** 1991-92 1.8L Engine Schematic
- DIAGRAM 4** 1991-92 1.9L Engine Schematic
- DIAGRAM 5** 1993-96 1.8L Engine Schematic
- DIAGRAM 6** 1993-96 1.9L Engine Schematic
- DIAGRAM 7** 1997-99 2.0L SOHC Engine Schematic
- DIAGRAM 8** 1998-99 2.0L DOHC Engine Schematic
- DIAGRAM 9** 1991-97 Starting Chassis Schematics
- DIAGRAM 10** 1991-99 Charging, 1998-99 Starting Chassis Schematics
- DIAGRAM 11** 1991-97 Cooling Fans Chassis Schematics
- DIAGRAM 12** 1998-99 Cooling Fan, 1991-96 Fuel Pump Chassis Schematics
- DIAGRAM 13** 1997-99 Fuel Pump, 1991-93 Headlights w/o DRL Chassis Schematics
- DIAGRAM 14** 1994-99 Headlights w/o DRL Chassis Schematics
- DIAGRAM 15** 1991-96 Headlights w/ DRL Chassis Schematics
- DIAGRAM 16** 1997-99 Headlights w/ DRL Chassis Schematic
- DIAGRAM 17** 1991-96 Parking/ Marker Lights Chassis Schematics
- DIAGRAM 18** 1997-99 Parking/ Marker Lights, 1991-99 Back-up Lights Chassis Schematics
- DIAGRAM 19** 1991-99 Horns, 1991-96 Stop Lights Chassis Schematics
- DIAGRAM 20** 1997-99 Stop Lights Chassis Schematics
- DIAGRAM 21** 1991-93 Turn/ Hazard Lights Chassis Schematics
- DIAGRAM 22** 1994-96 Turn/ Hazard Lights Chassis Schematic
- DIAGRAM 23** 1997 Turn/ Hazard Lights Chassis Schematics
- DIAGRAM 24** 1998-99 (Sedan/ Wagon) Turn/ Hazard Lights Chassis Schematics
- DIAGRAM 25** 1998-99 (Coupe) Turn/ Hazard Lights Chassis Schematics

SAMPLE DIAGRAM: HOW TO READ & INTERPRET WIRING DIAGRAMS

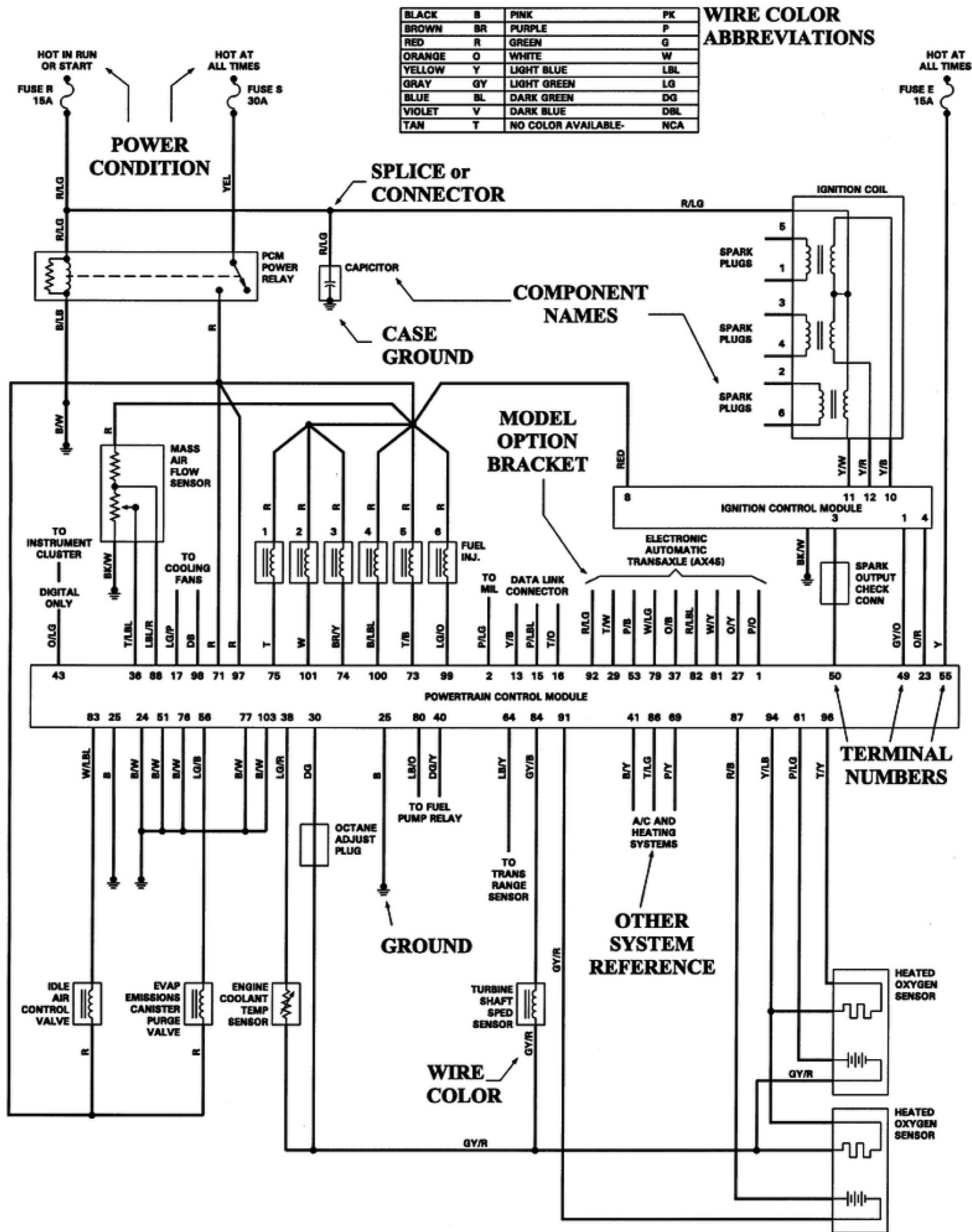


DIAGRAM 1

WIRING DIAGRAM SYMBOLS

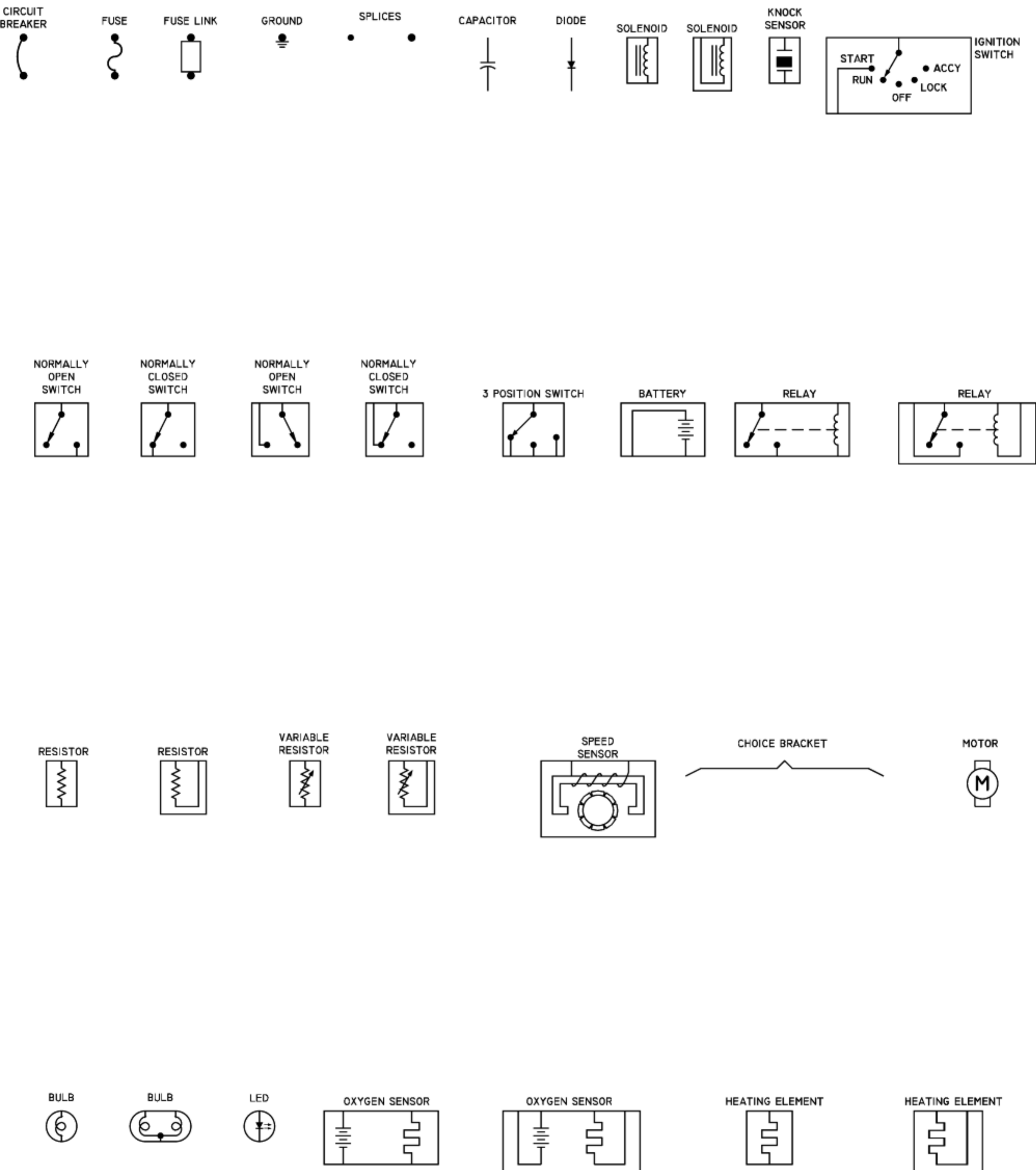


DIAGRAM 2

1991-92 1.8L ENGINE SCHEMATIC

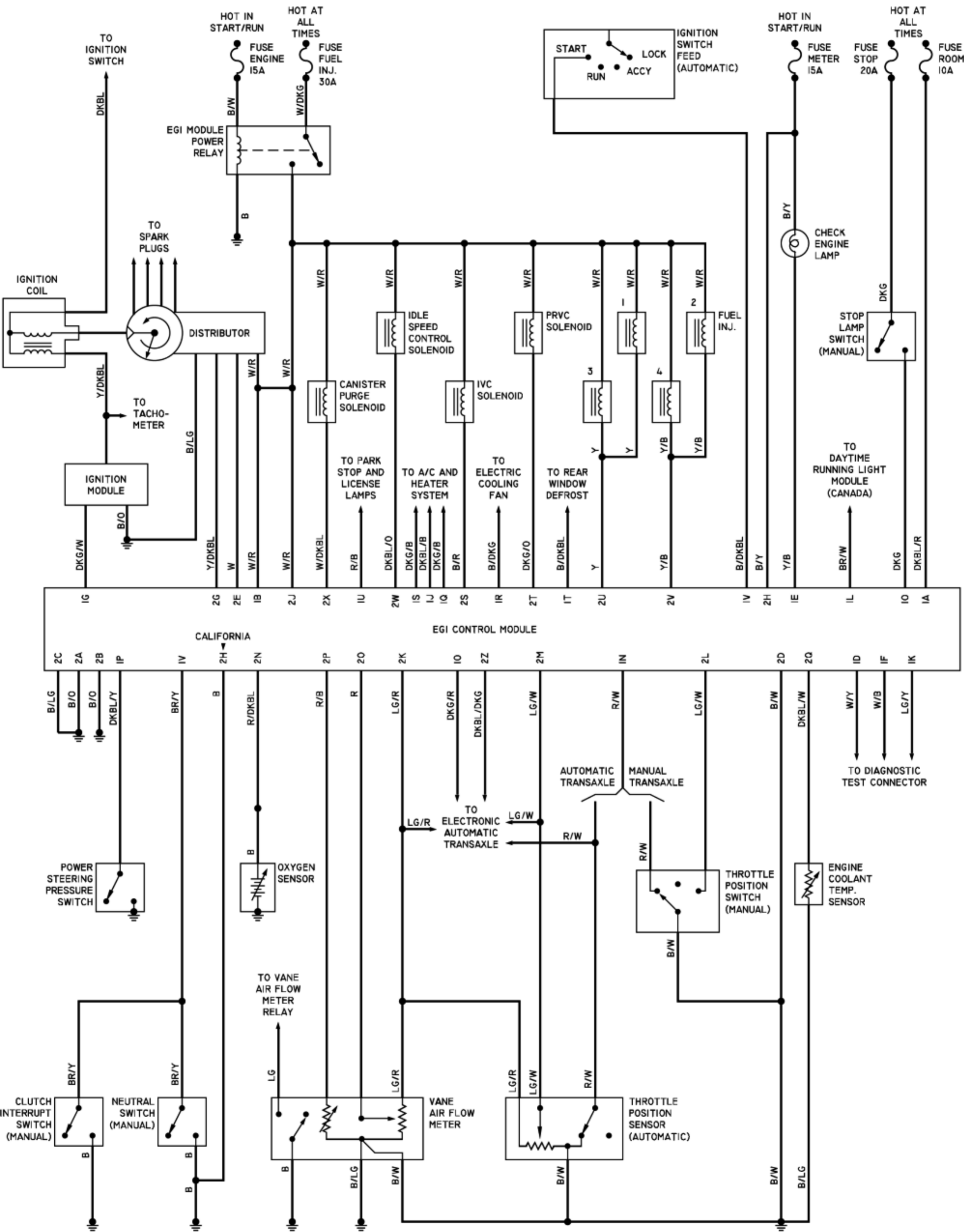


DIAGRAM 3

1991-92 1.9L ENGINE SCHEMATIC

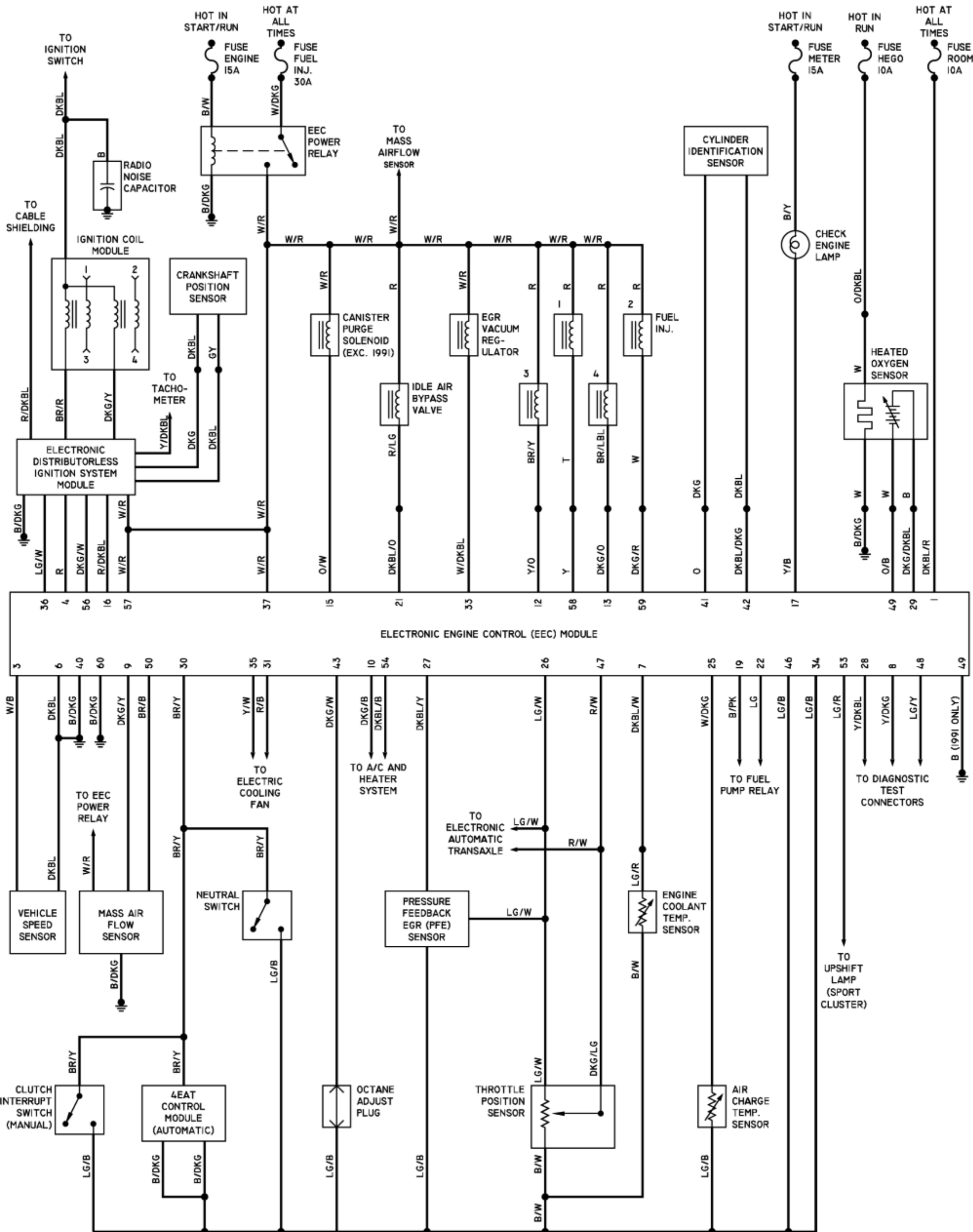
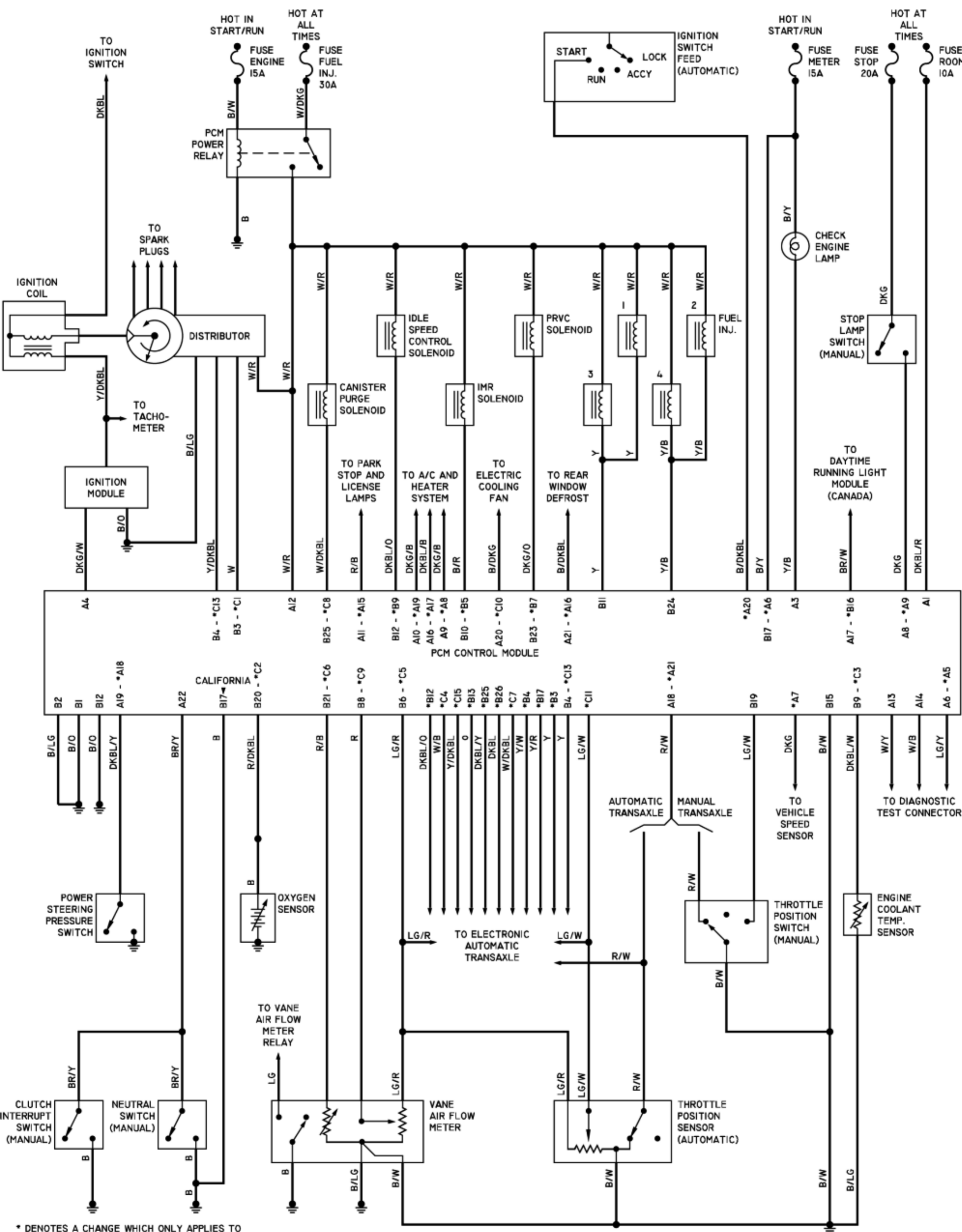


DIAGRAM 4

1993-96 1.8L ENGINE SCHEMATIC



* DENOTES A CHANGE WHICH ONLY APPLIES TO AUTOMATIC TRANSMISSIONS

DIAGRAM 5

1993-96 1.9L ENGINE SCHEMATIC

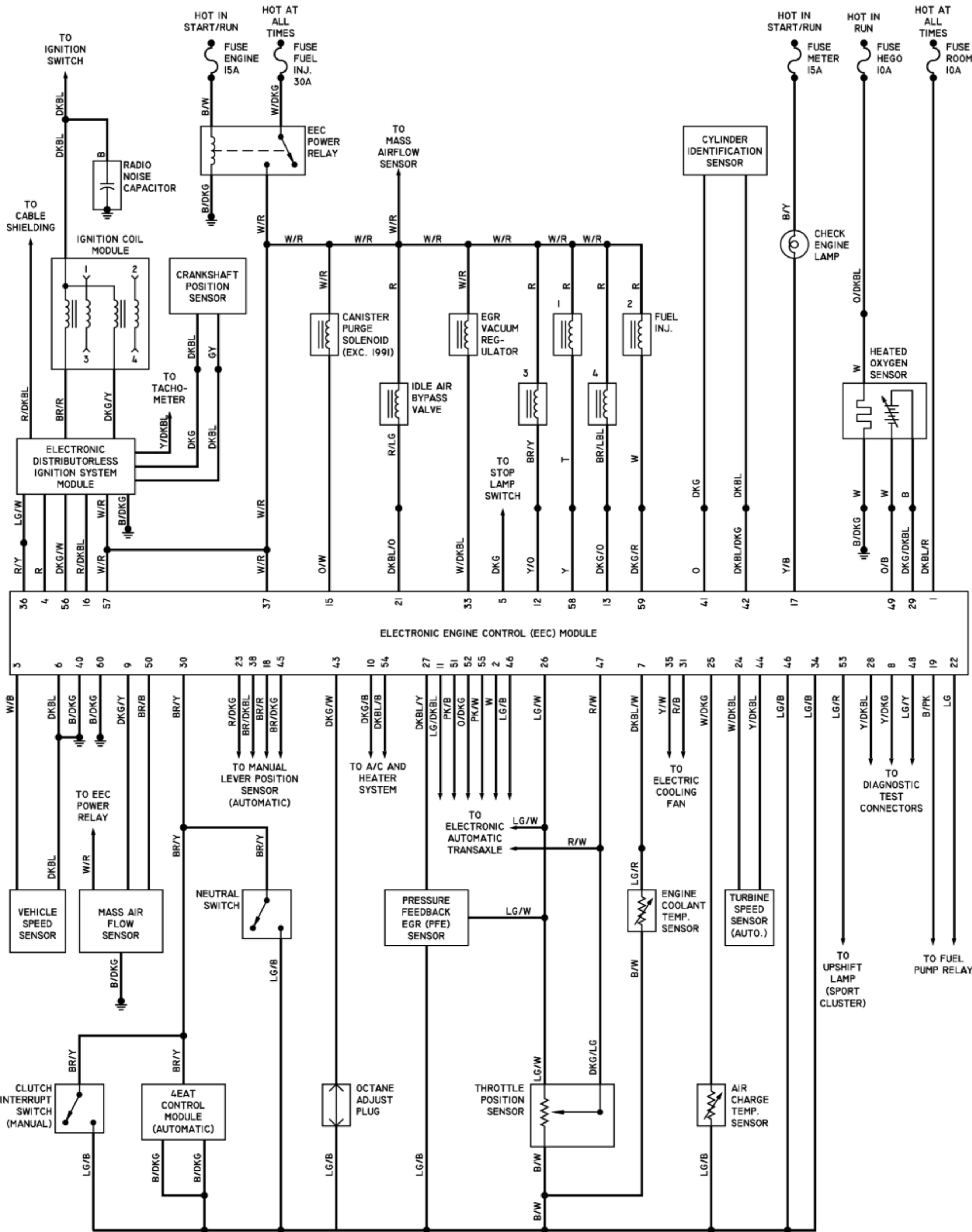
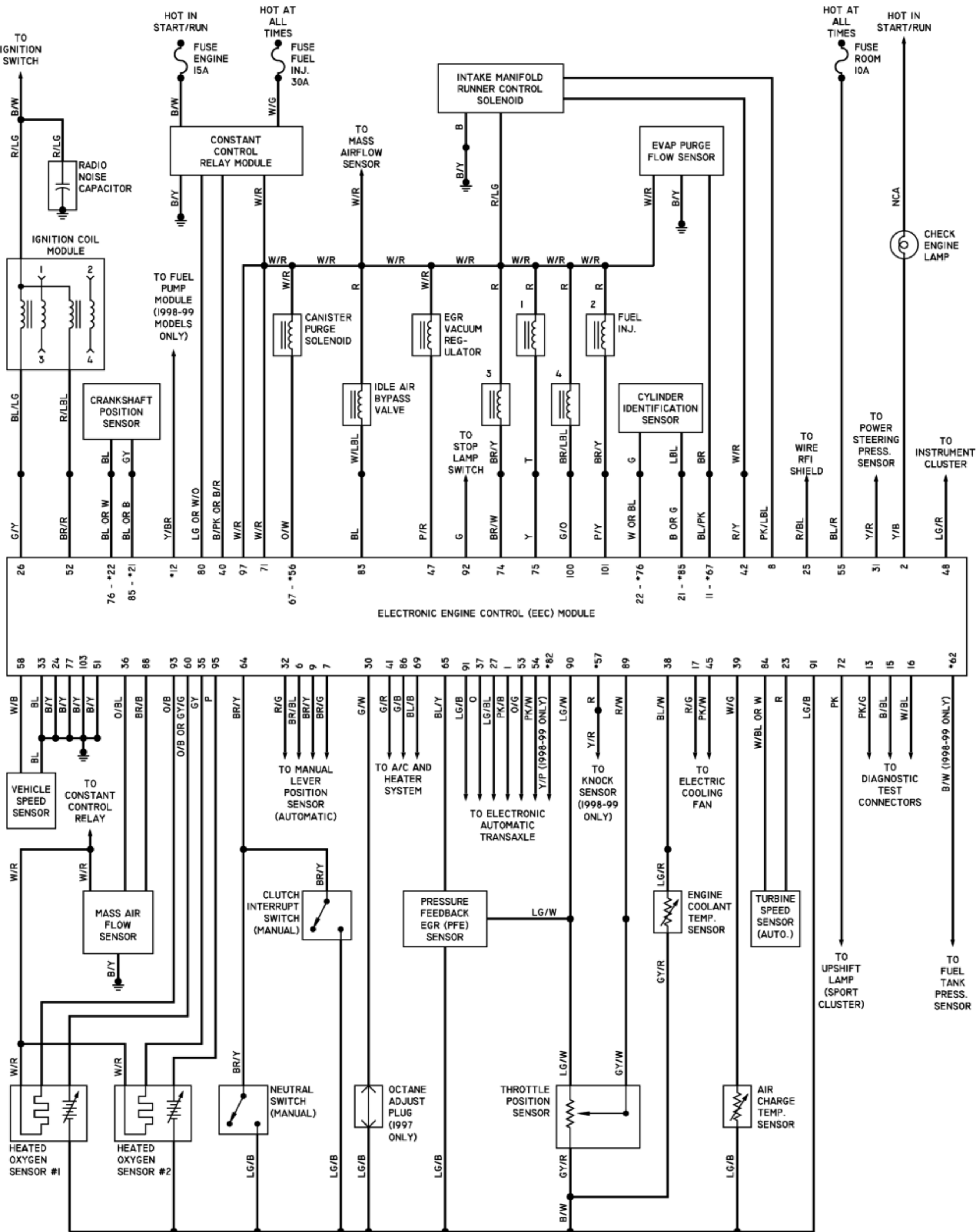


DIAGRAM 6

1997-99 2.0L SOHC ENGINE SCHEMATIC



* DENOTES A CHANGE WHICH ONLY APPLIES TO 1998-99 MODEL YEARS

DIAGRAM 7

1998-99 2.0L DOHC ENGINE SCHEMATIC

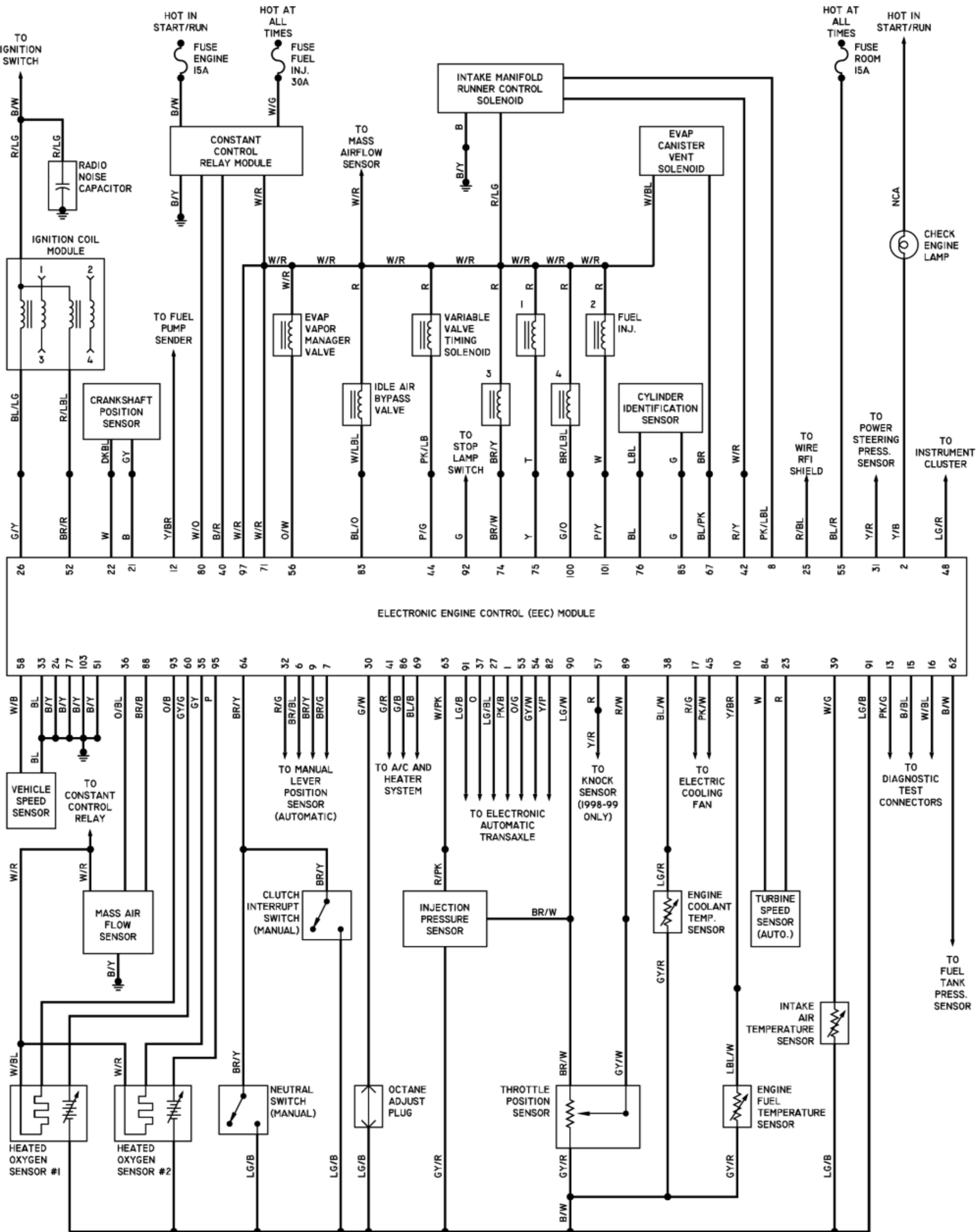


DIAGRAM 8

1991-96

1991-97 ESCORT/TRACER

1997

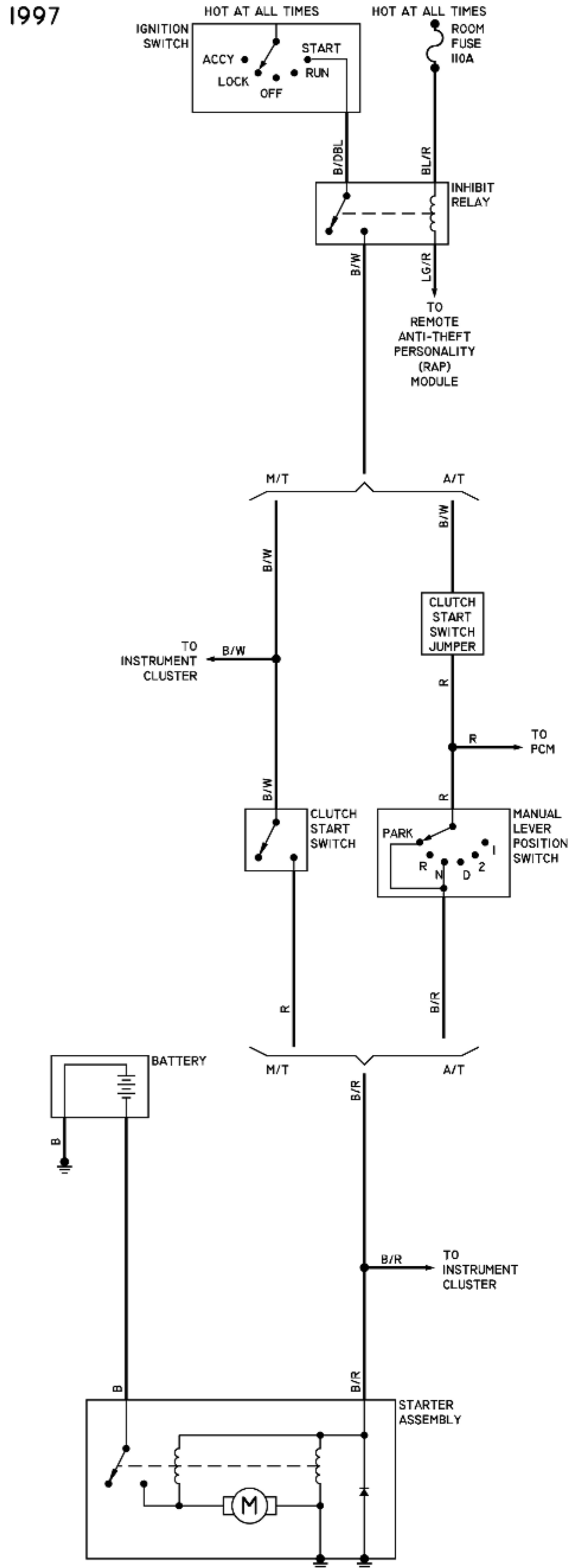
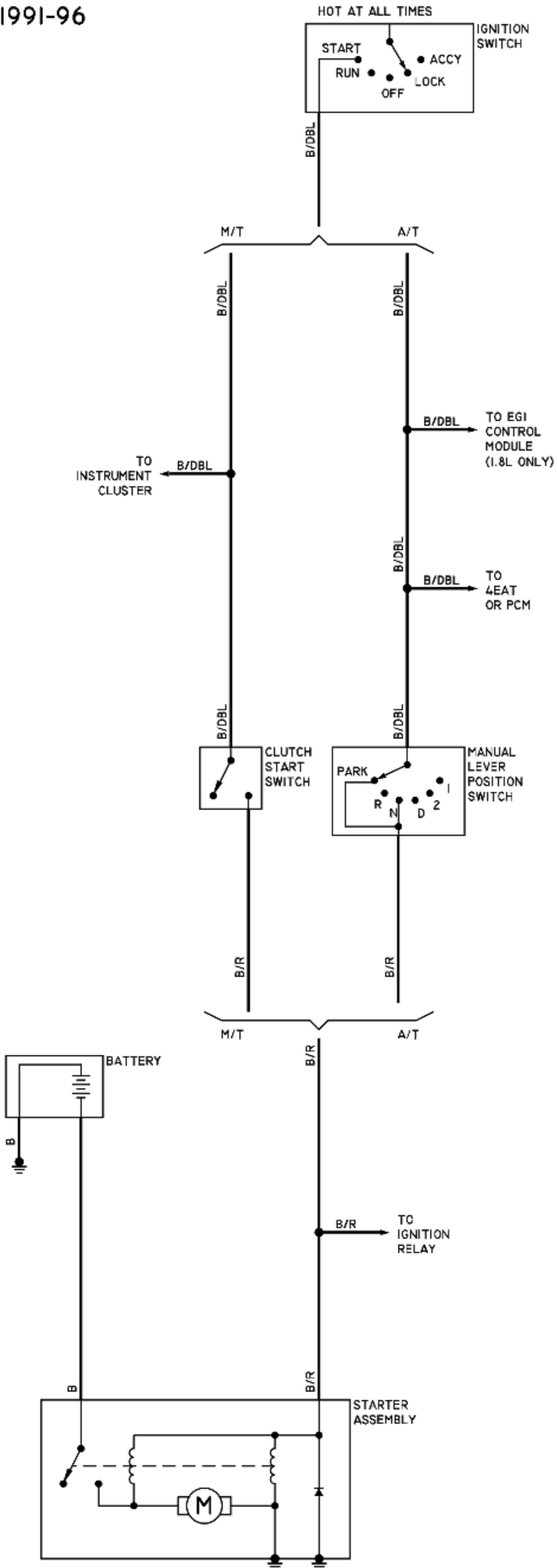
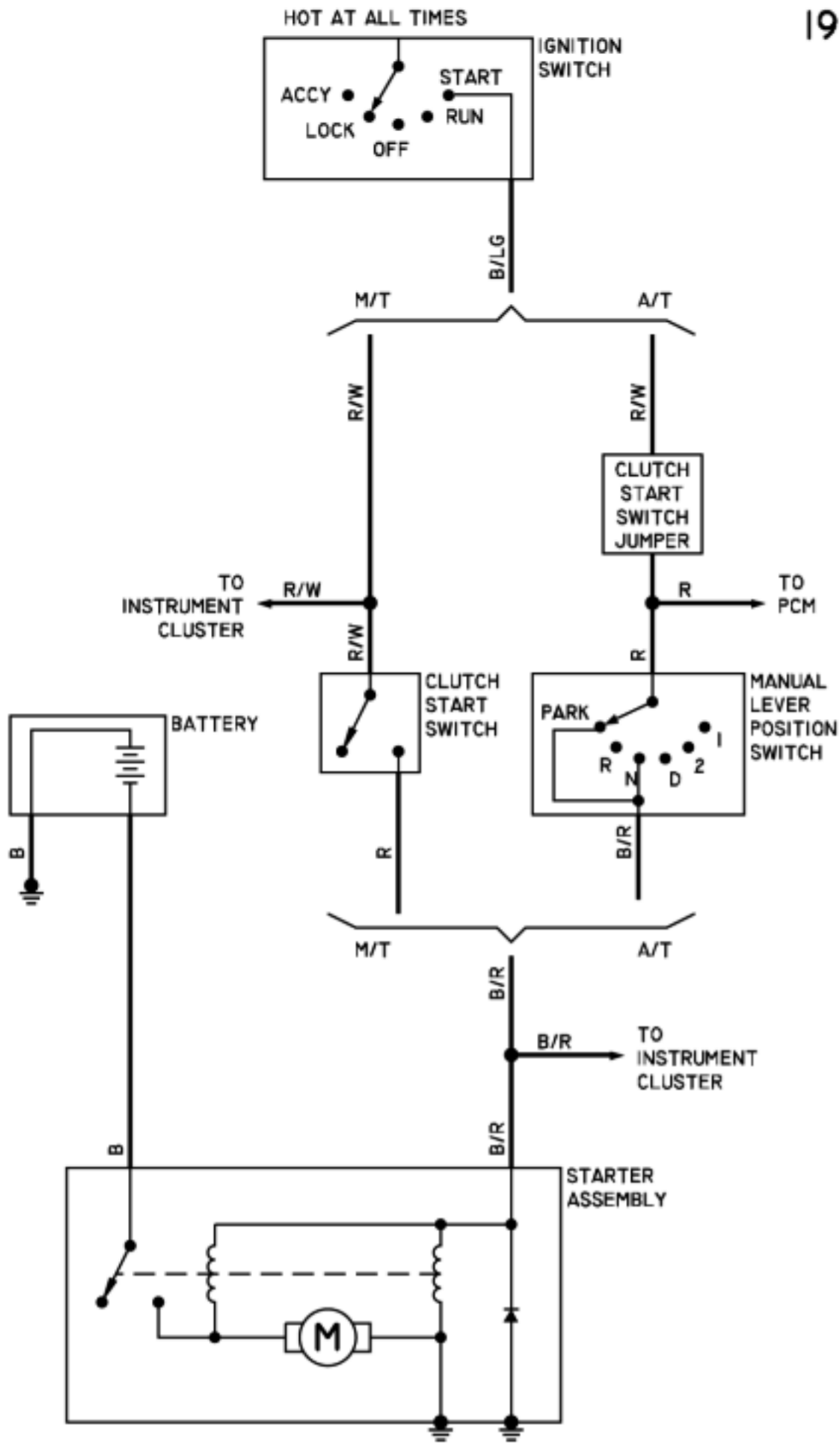


DIAGRAM 9

1991-99 ESCORT/TRACER

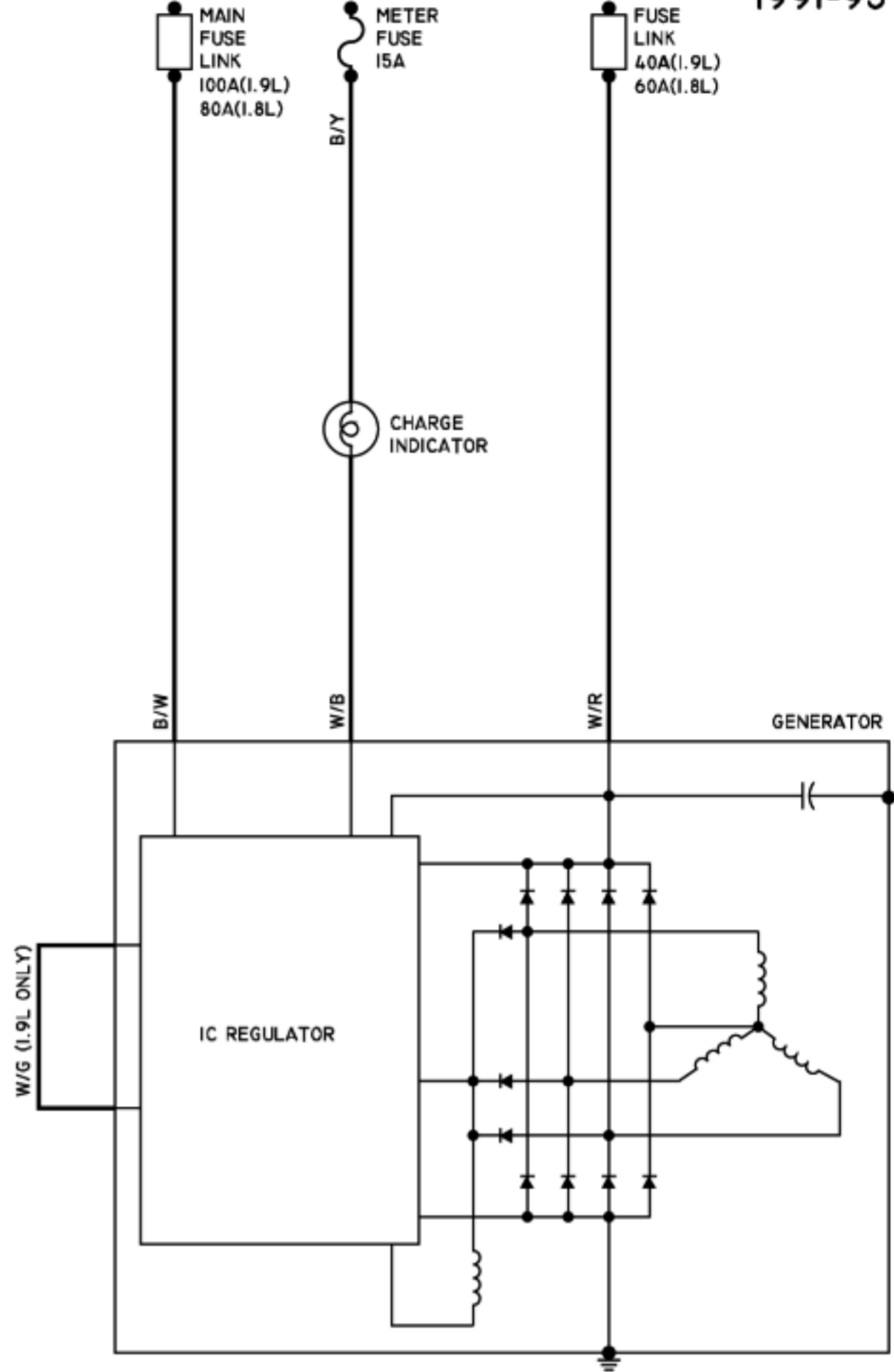
1998-99



HOT AT ALL TIMES HOT IN RUN OR START

HOT AT ALL TIMES

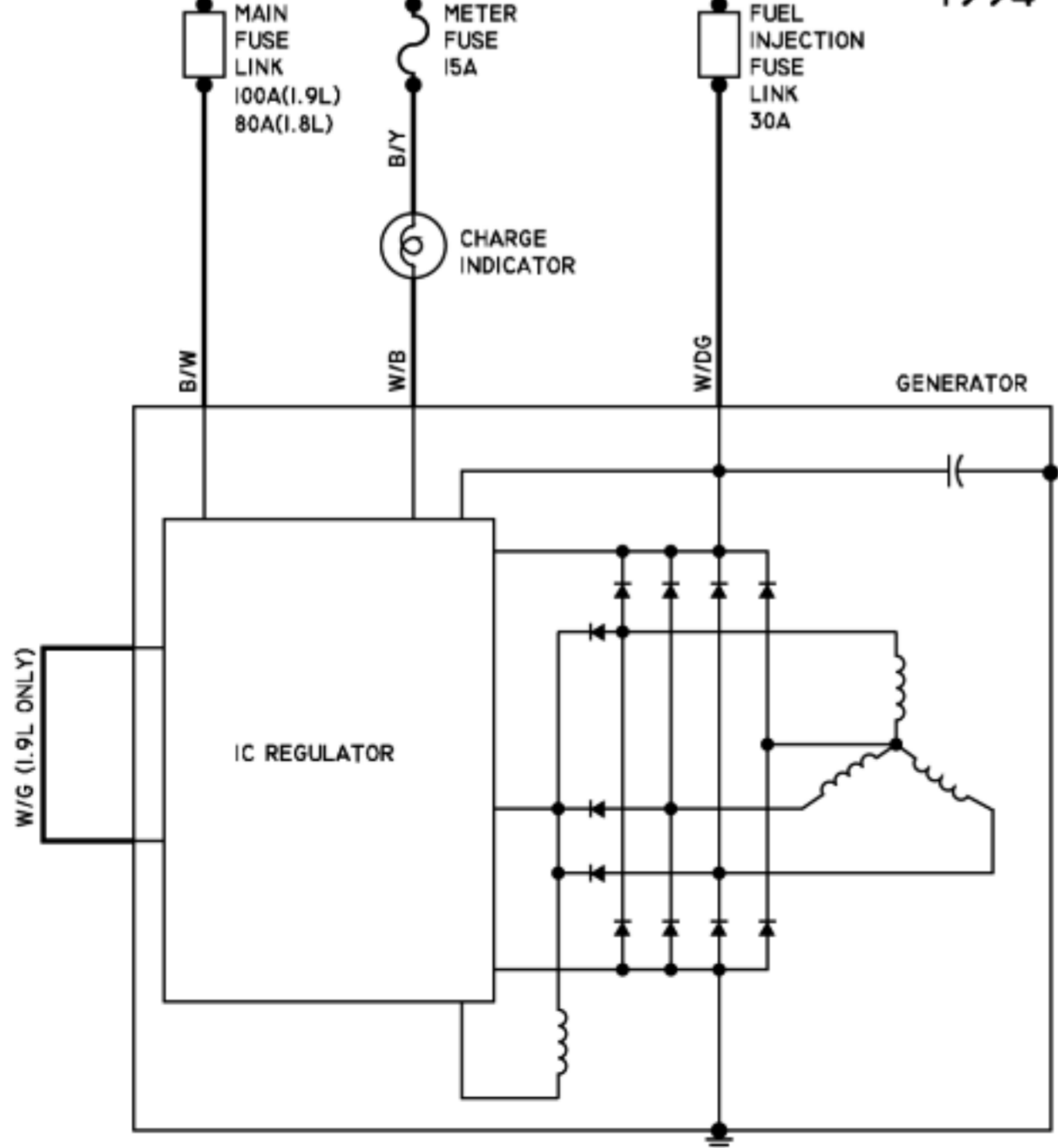
1991-93



HOT AT ALL TIMES HOT IN RUN OR START

HOT AT ALL TIMES

1994-96



HOT AT ALL TIMES HOT IN RUN OR START

HOT AT ALL TIMES

1997-99

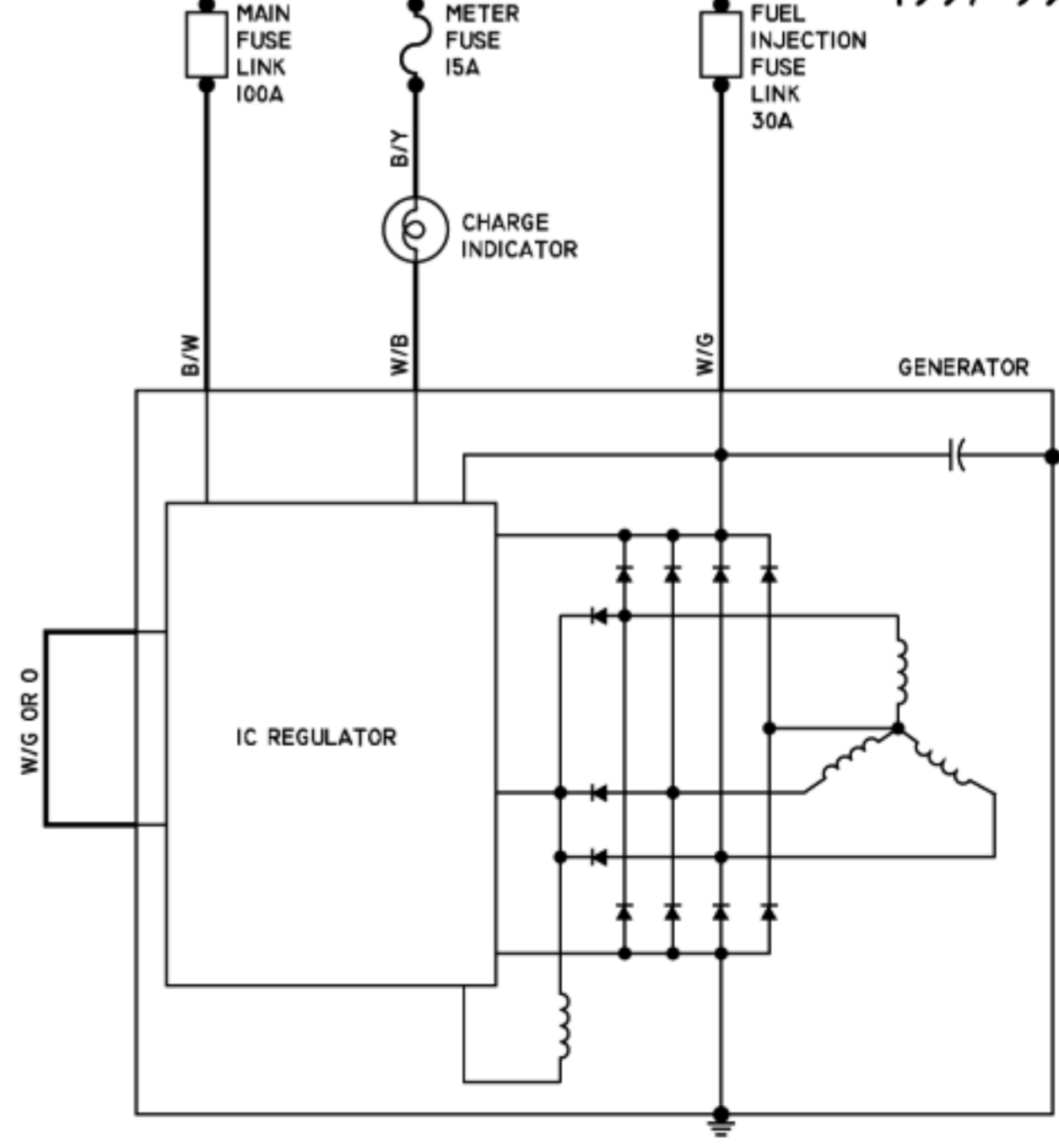


DIAGRAM 10

1991-97 ESCORT/TRACER

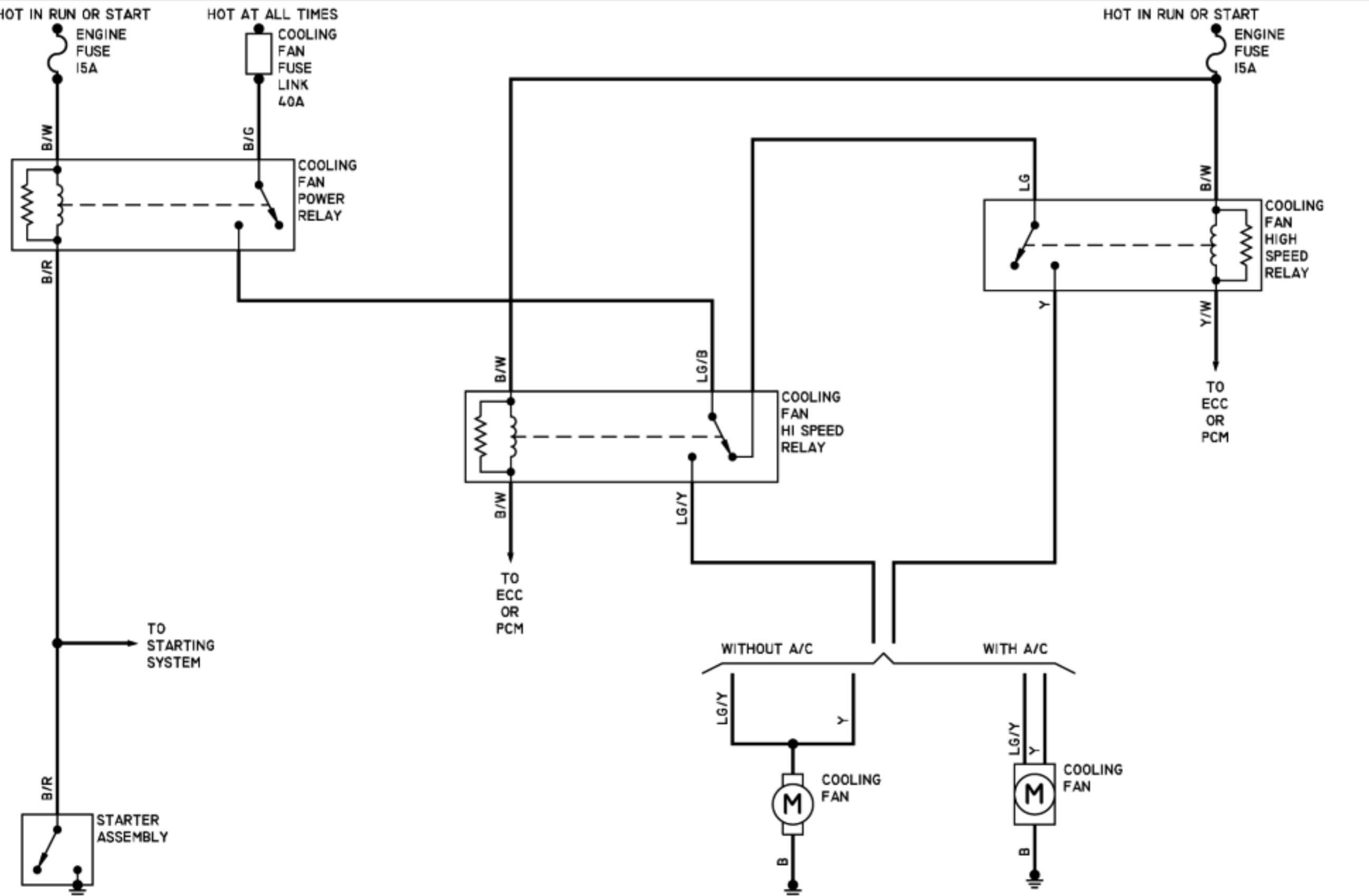
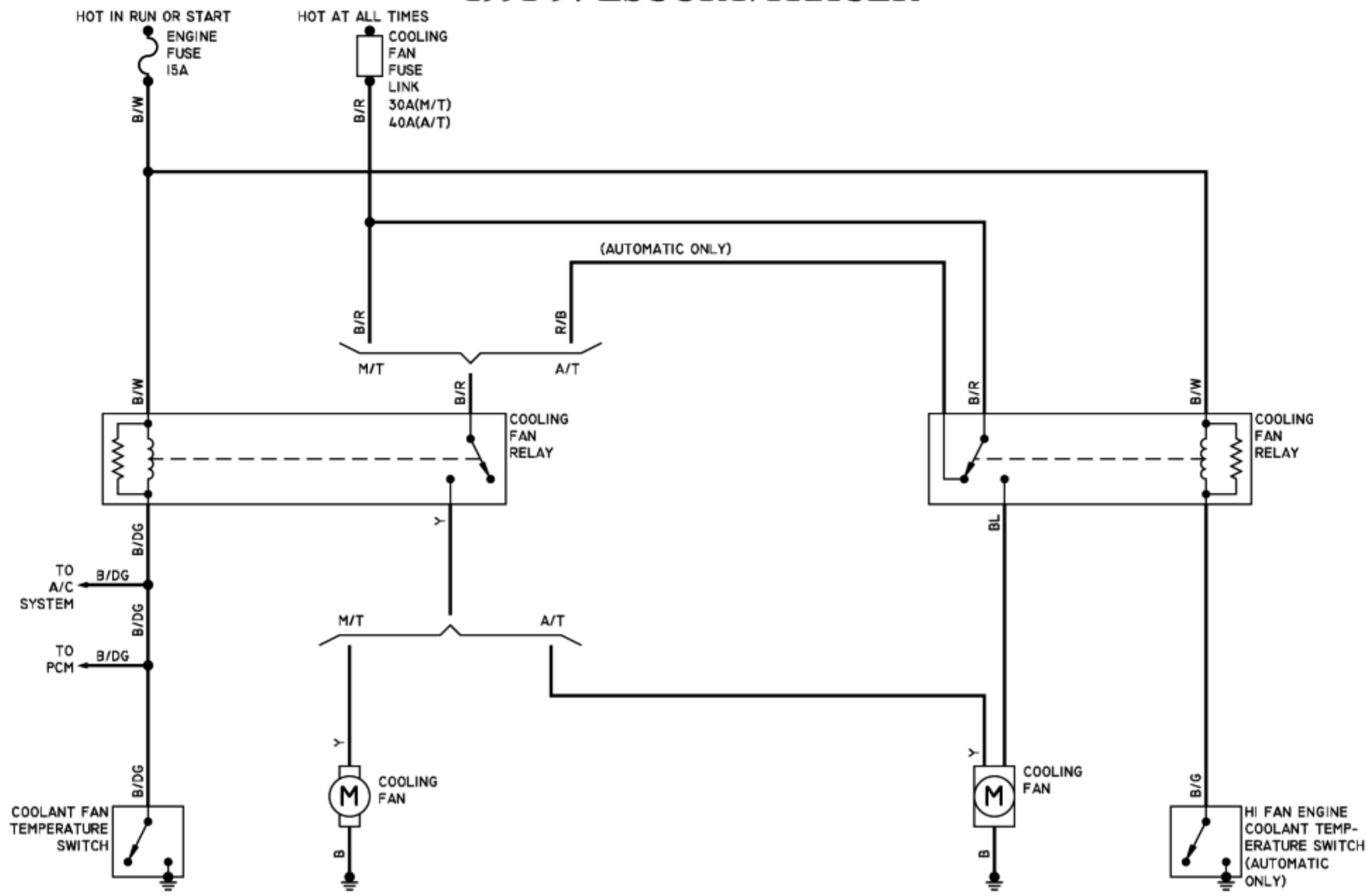


DIAGRAM 11

1991-99 ESCORT/TRACER

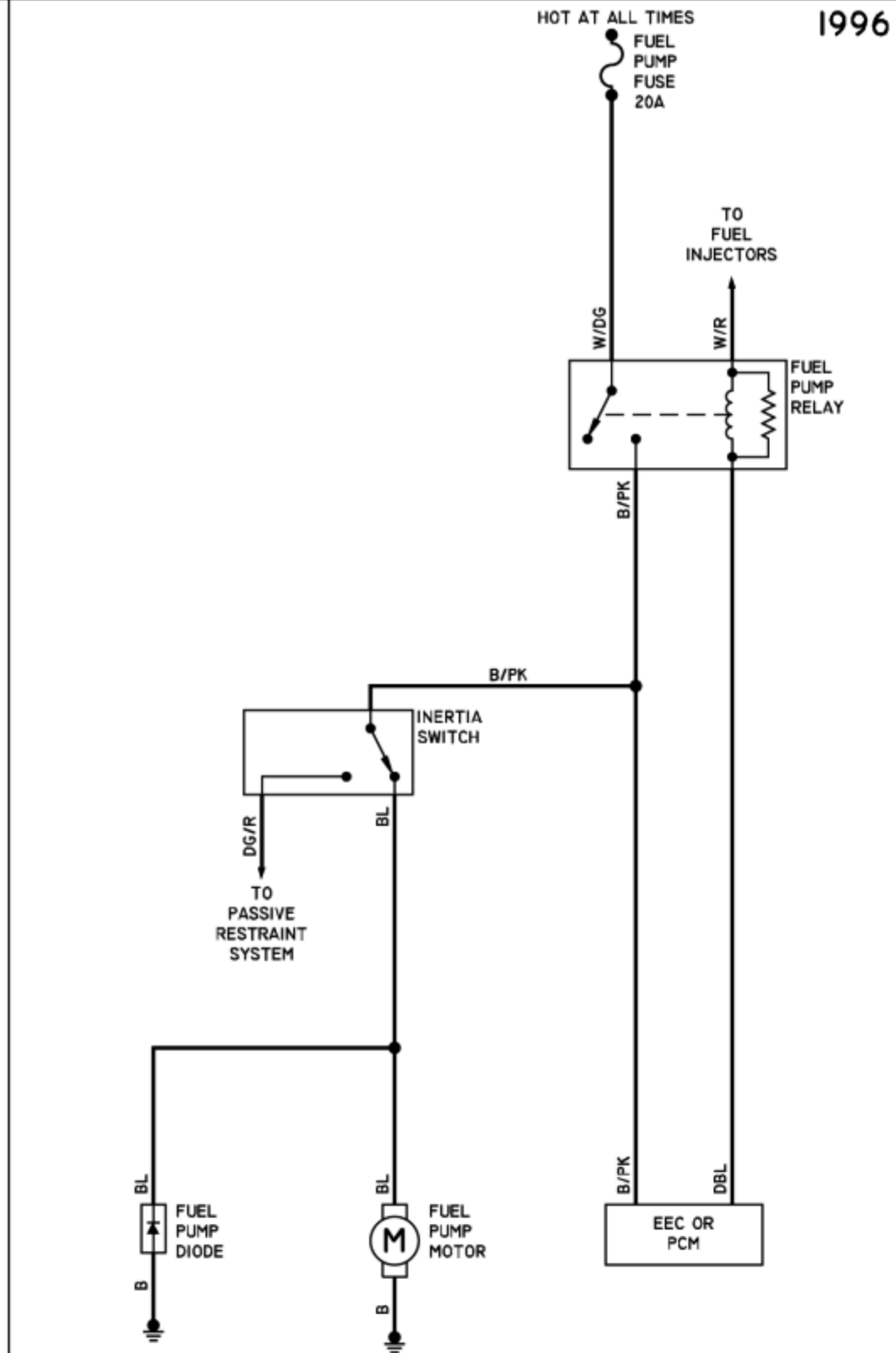
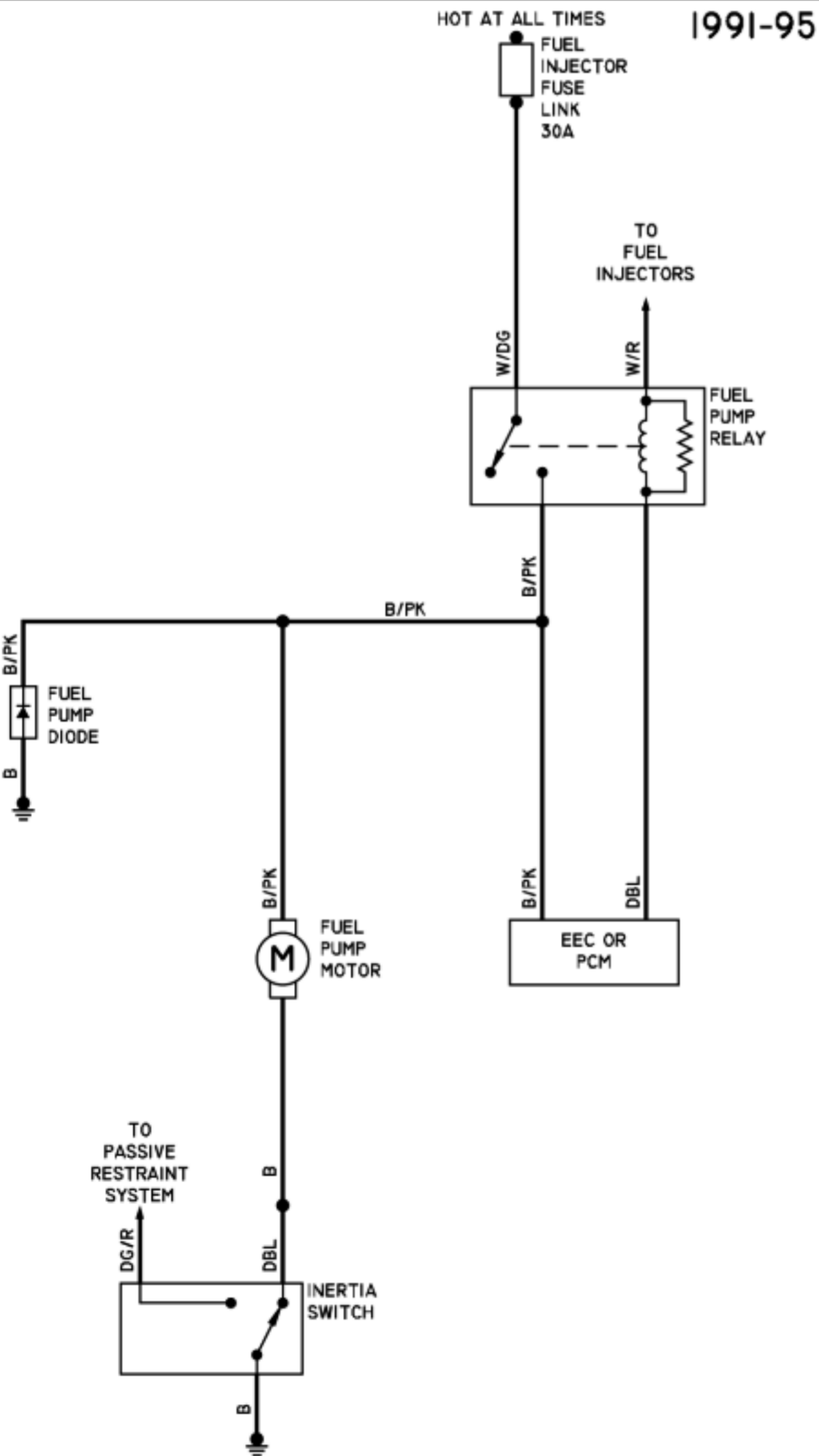
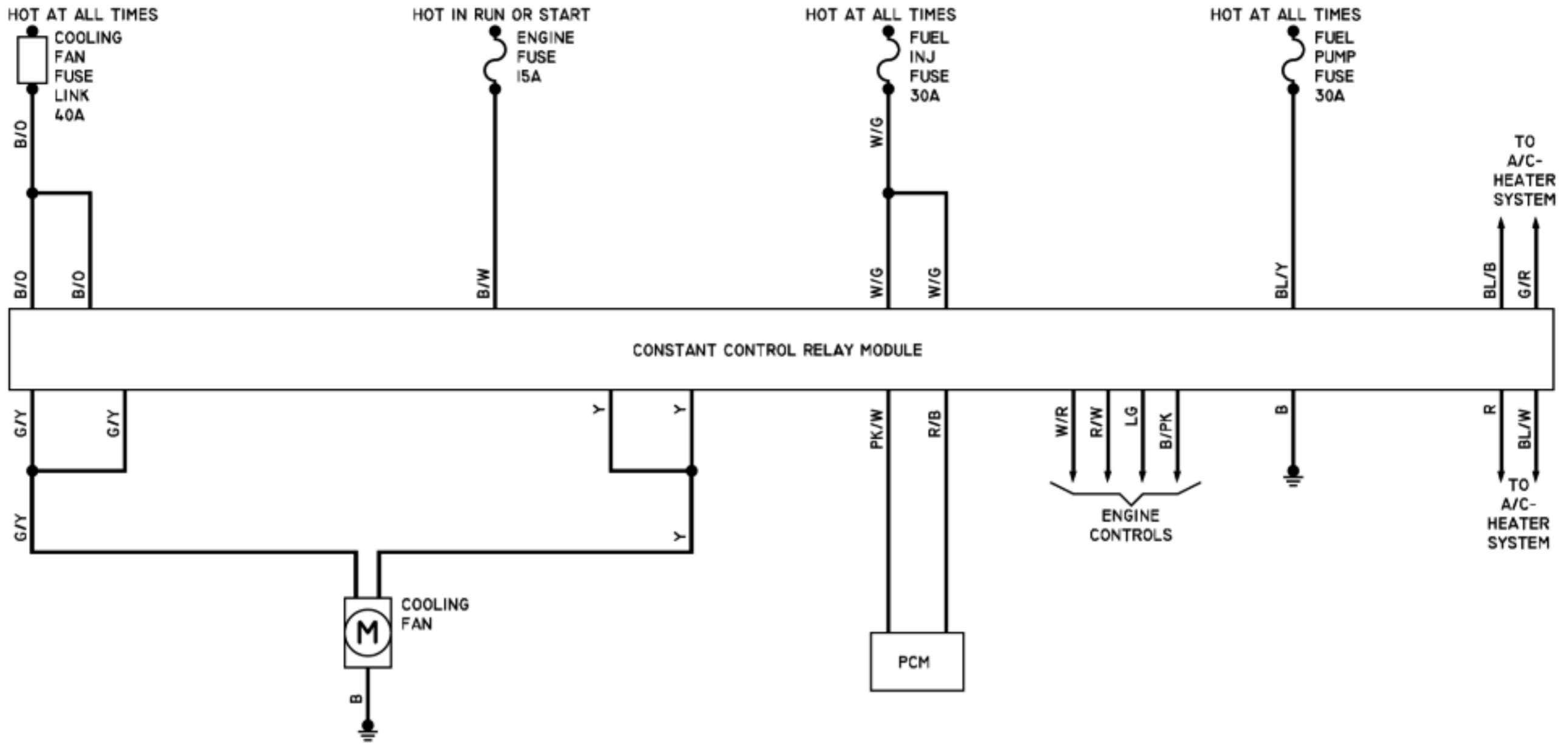
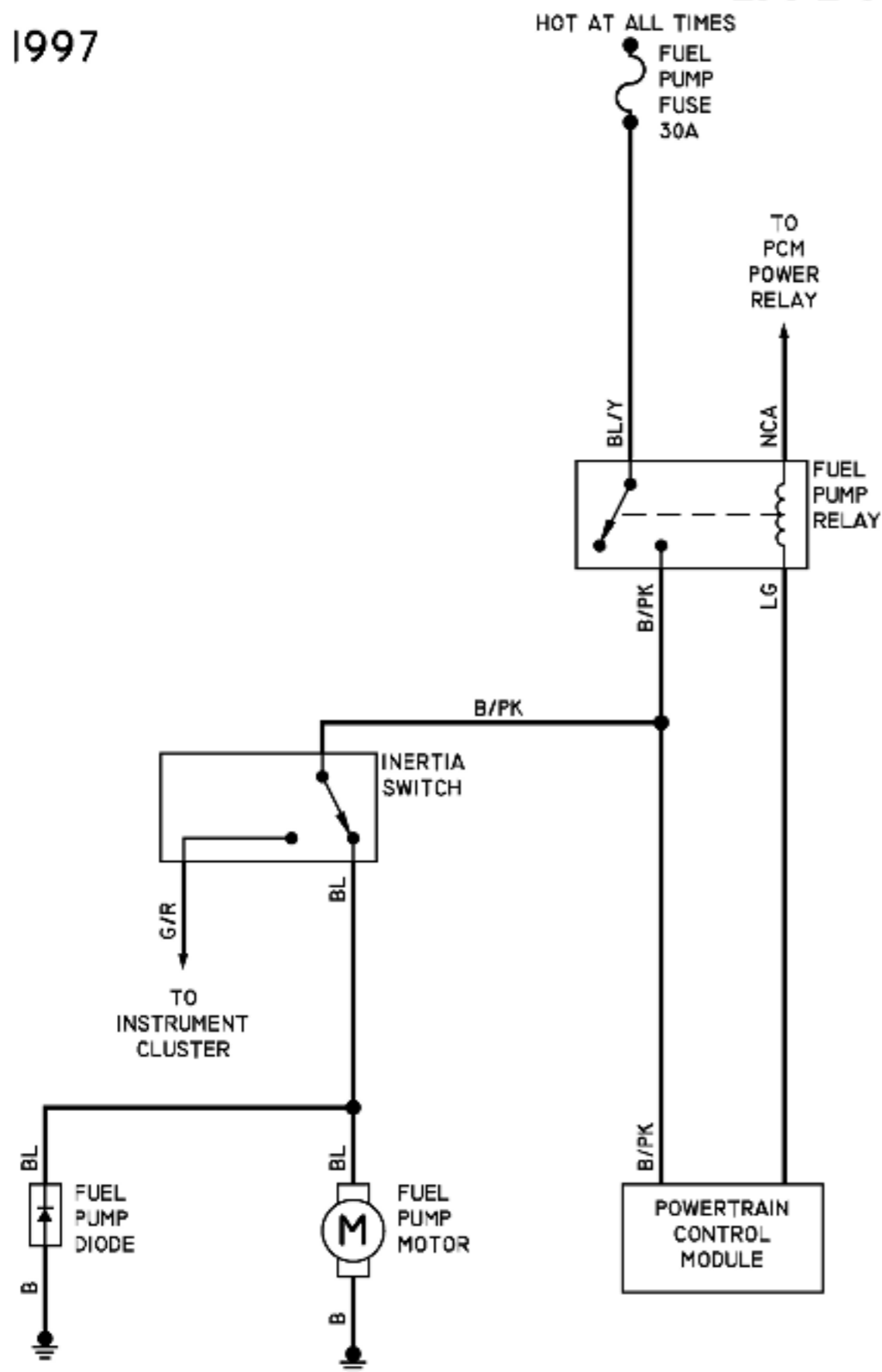


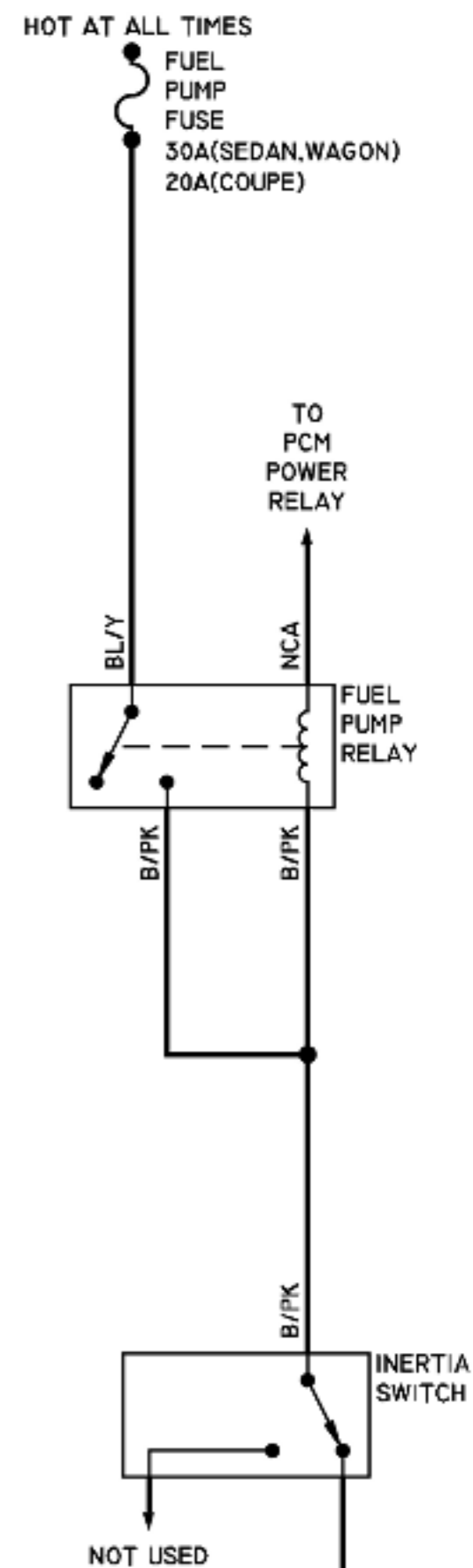
DIAGRAM 12

1991-99 ESCORT/TRACER

1997



1998-99



1991-93 W/O DRL

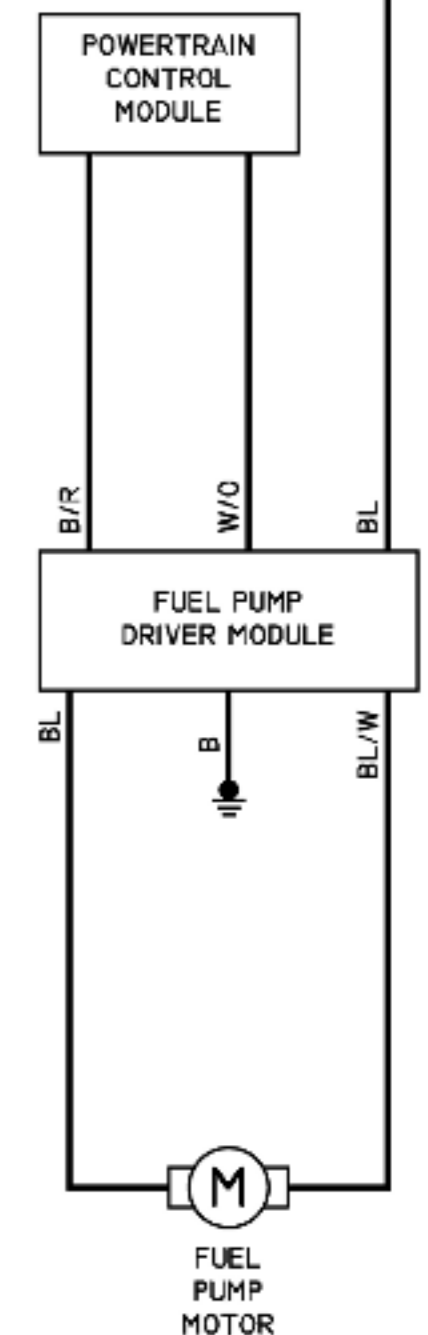
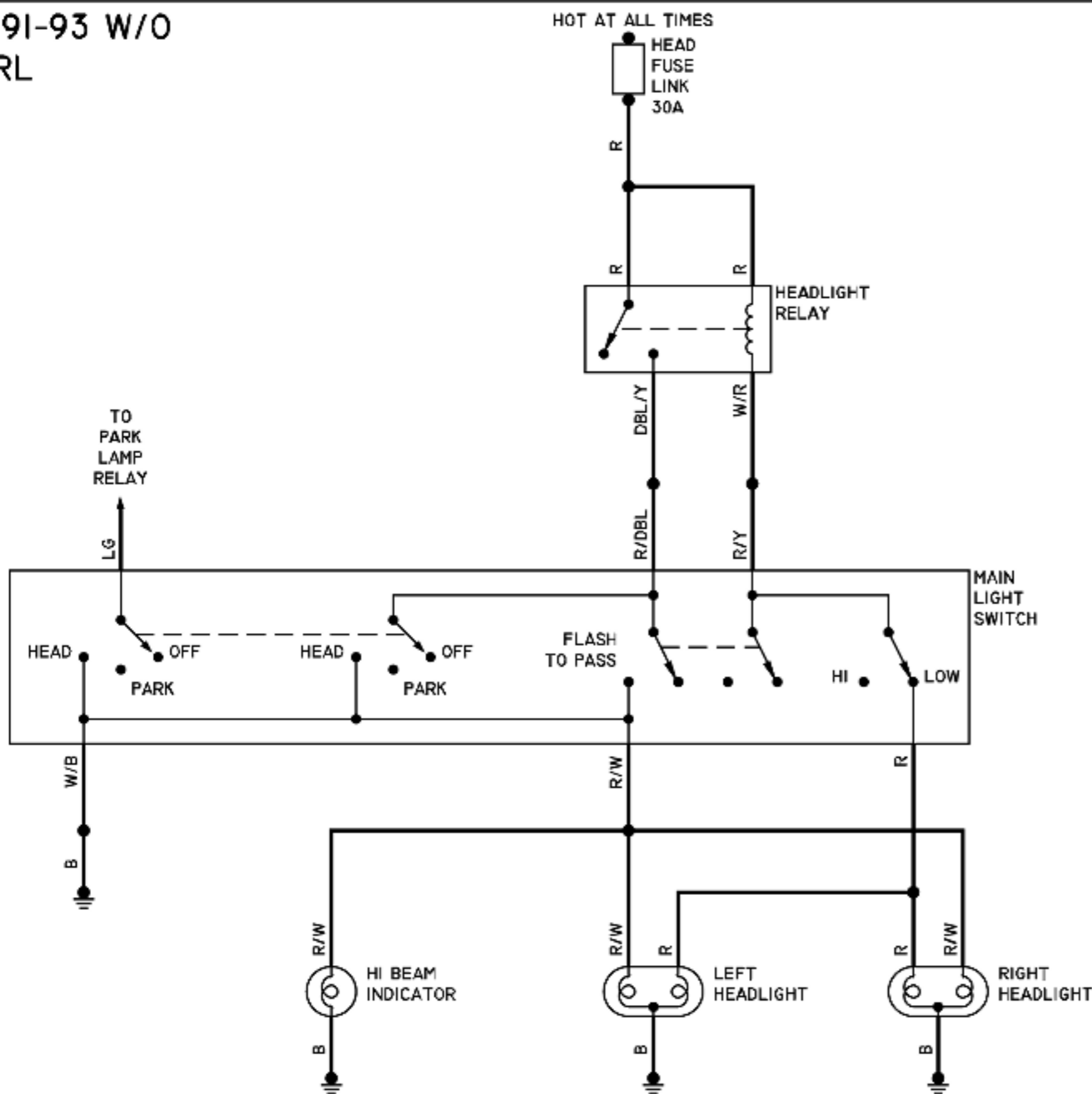
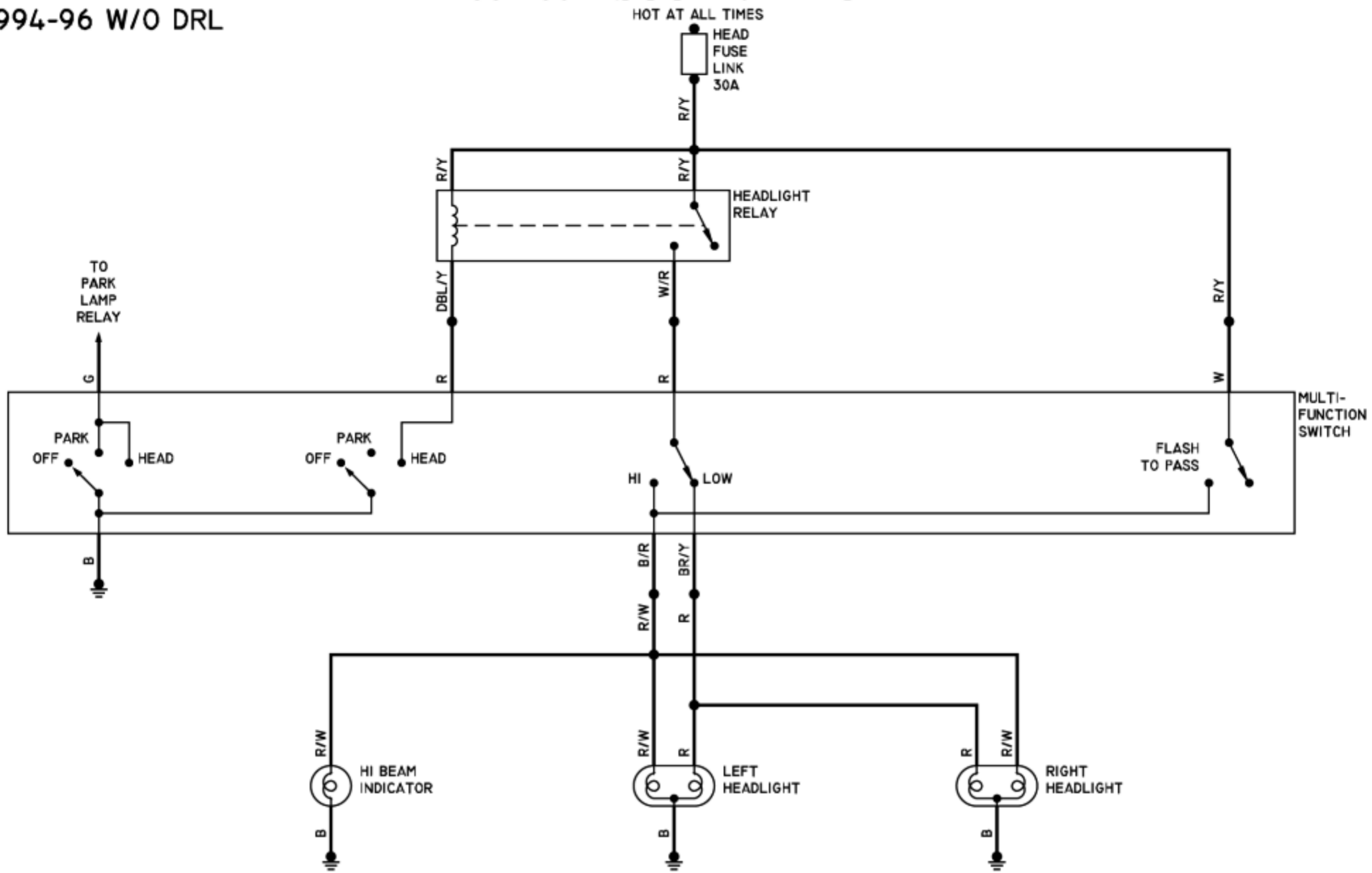


DIAGRAM 13

1994-99 ESCORT/TRACER

1994-96 W/O DRL



1997-99 W/O DRL

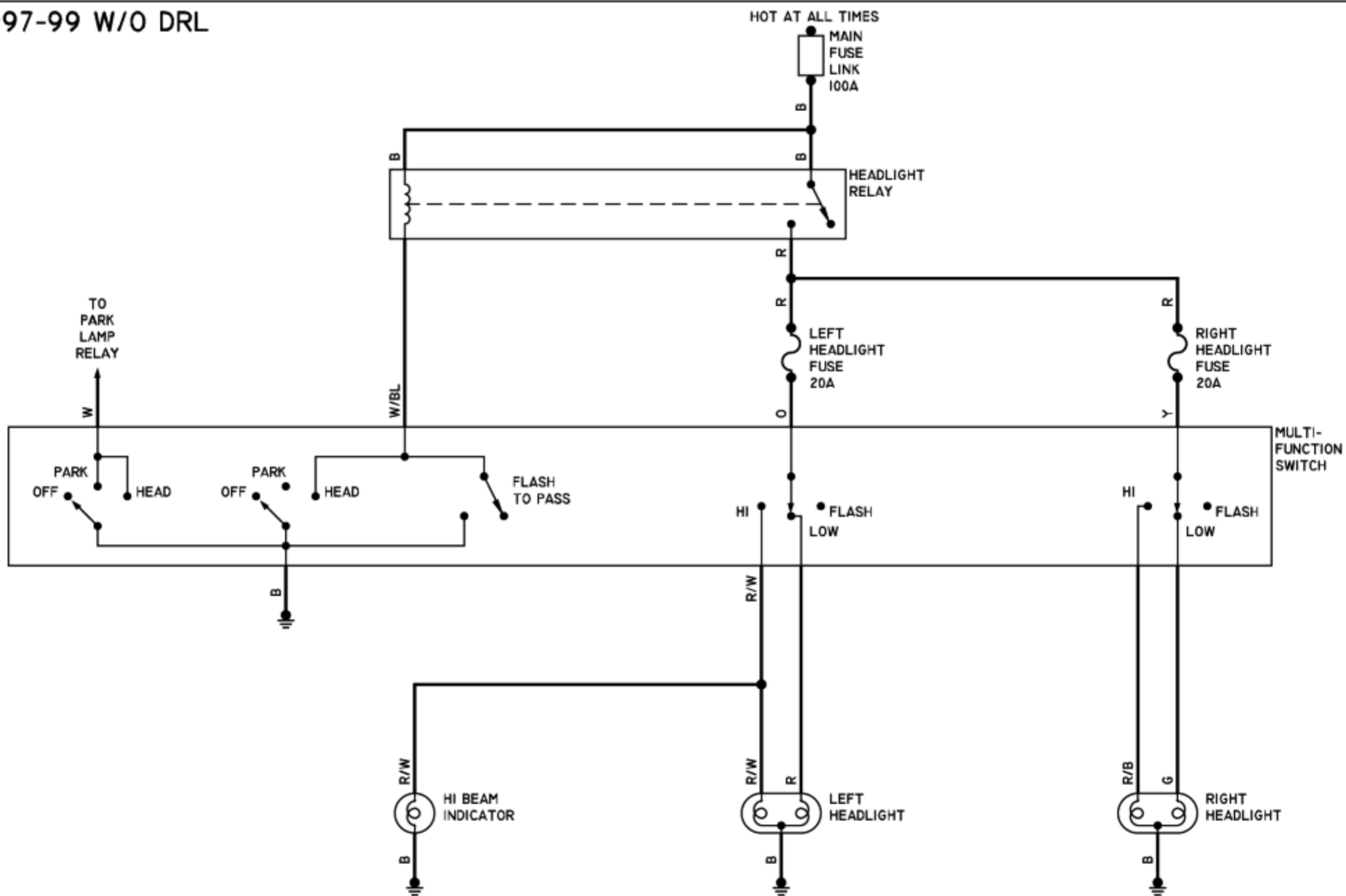
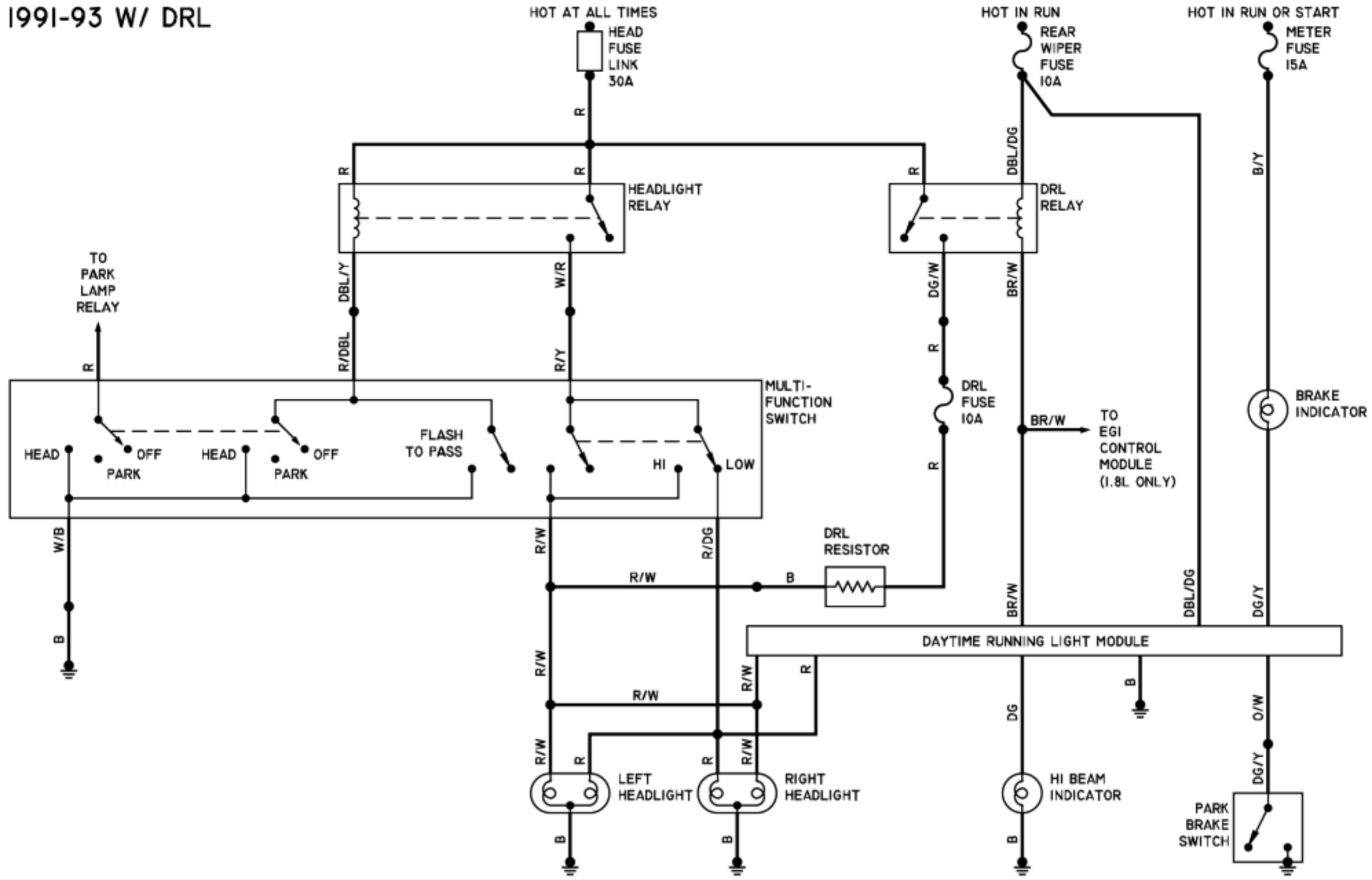


DIAGRAM 14

1991-96 ESCORT/TRACER

1991-93 W/ DRL



1994-96 W/ DRL

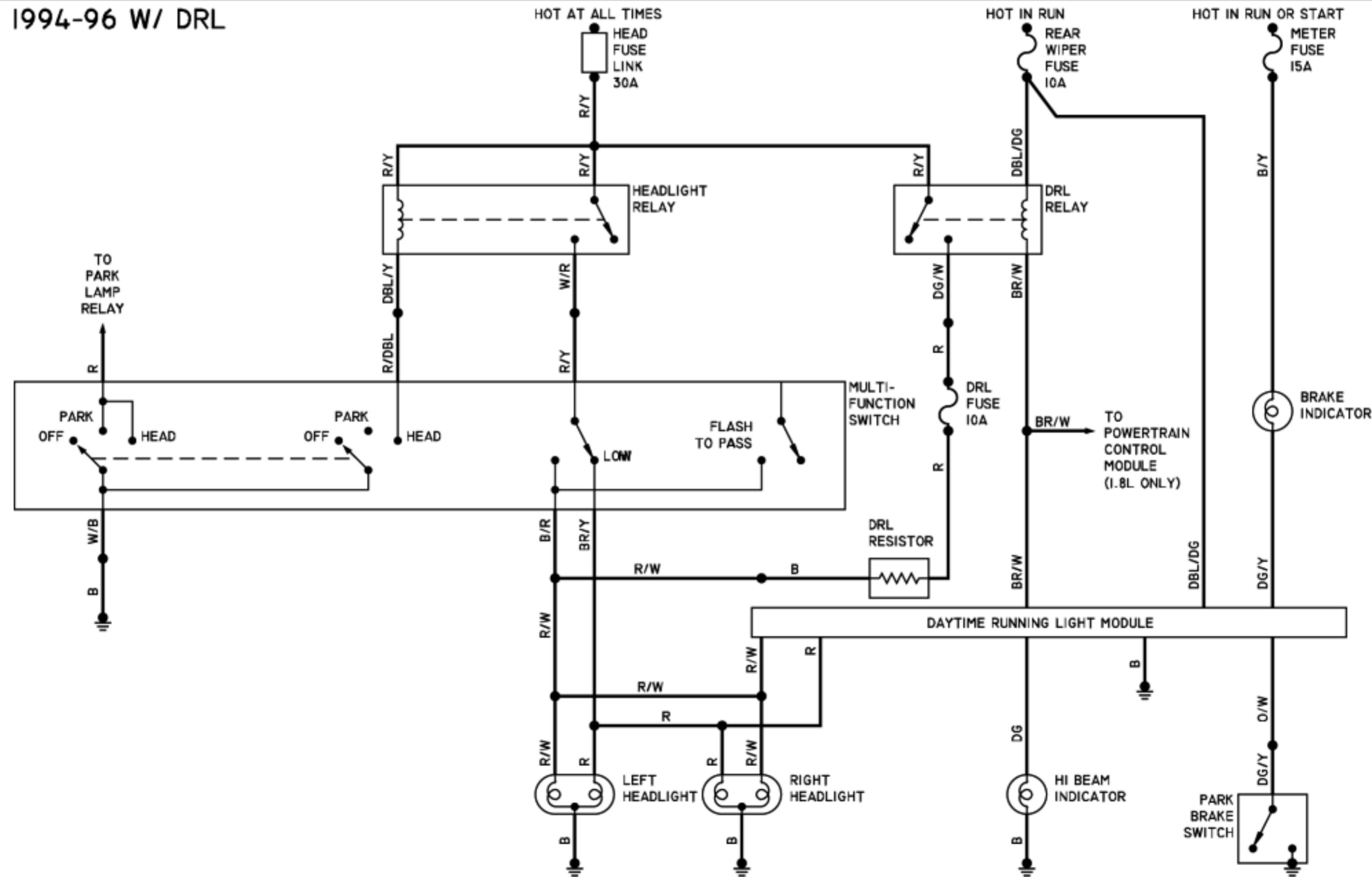
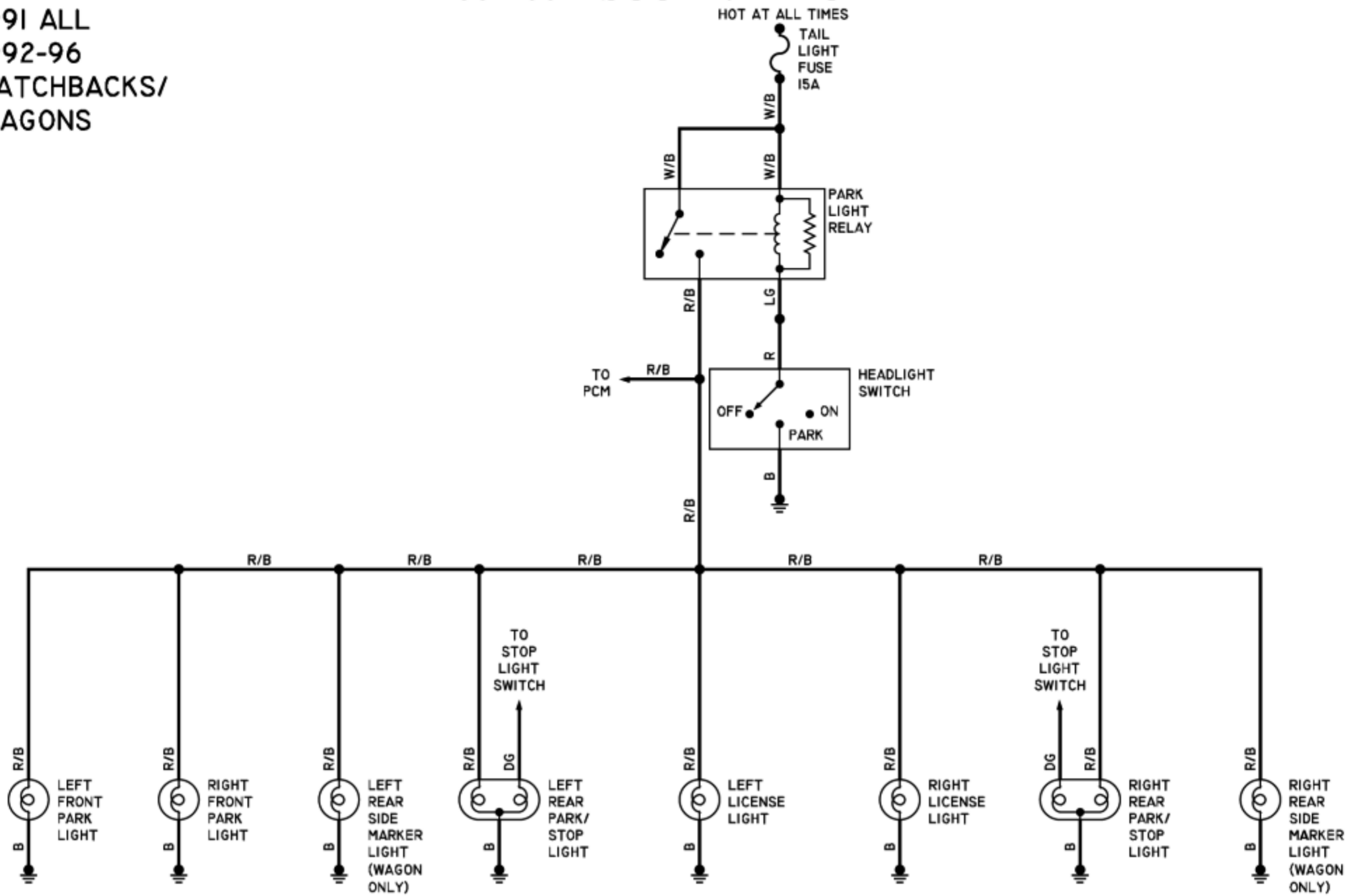


DIAGRAM 15

1991-99 ESCORT/TRACER

1991 ALL
1992-96
HATCHBACKS/
WAGONS



1992-96
4 DOOR
SEDAN

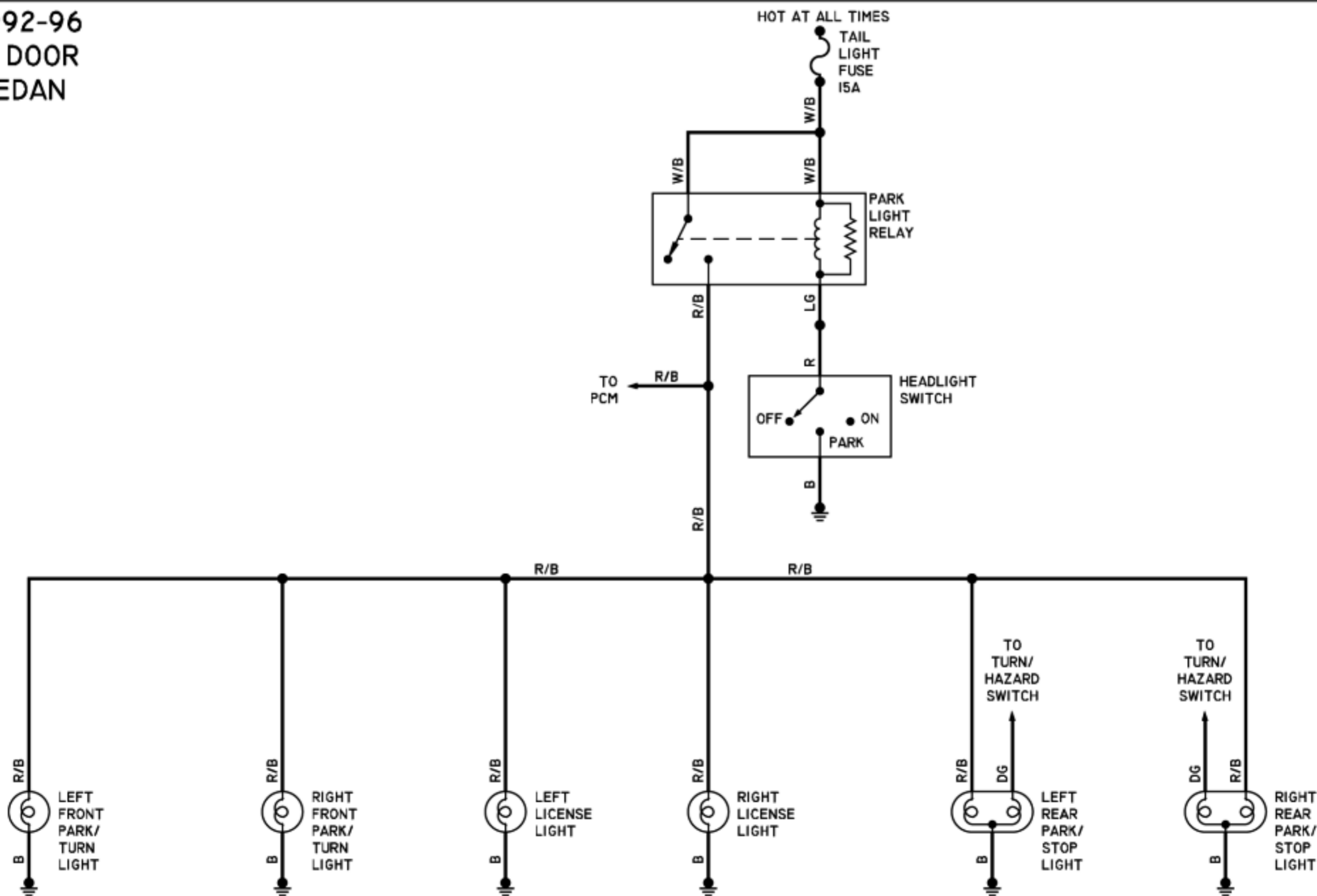


DIAGRAM 17

1997-99 ESCORT/TRACER

1997-99 W/ DRL

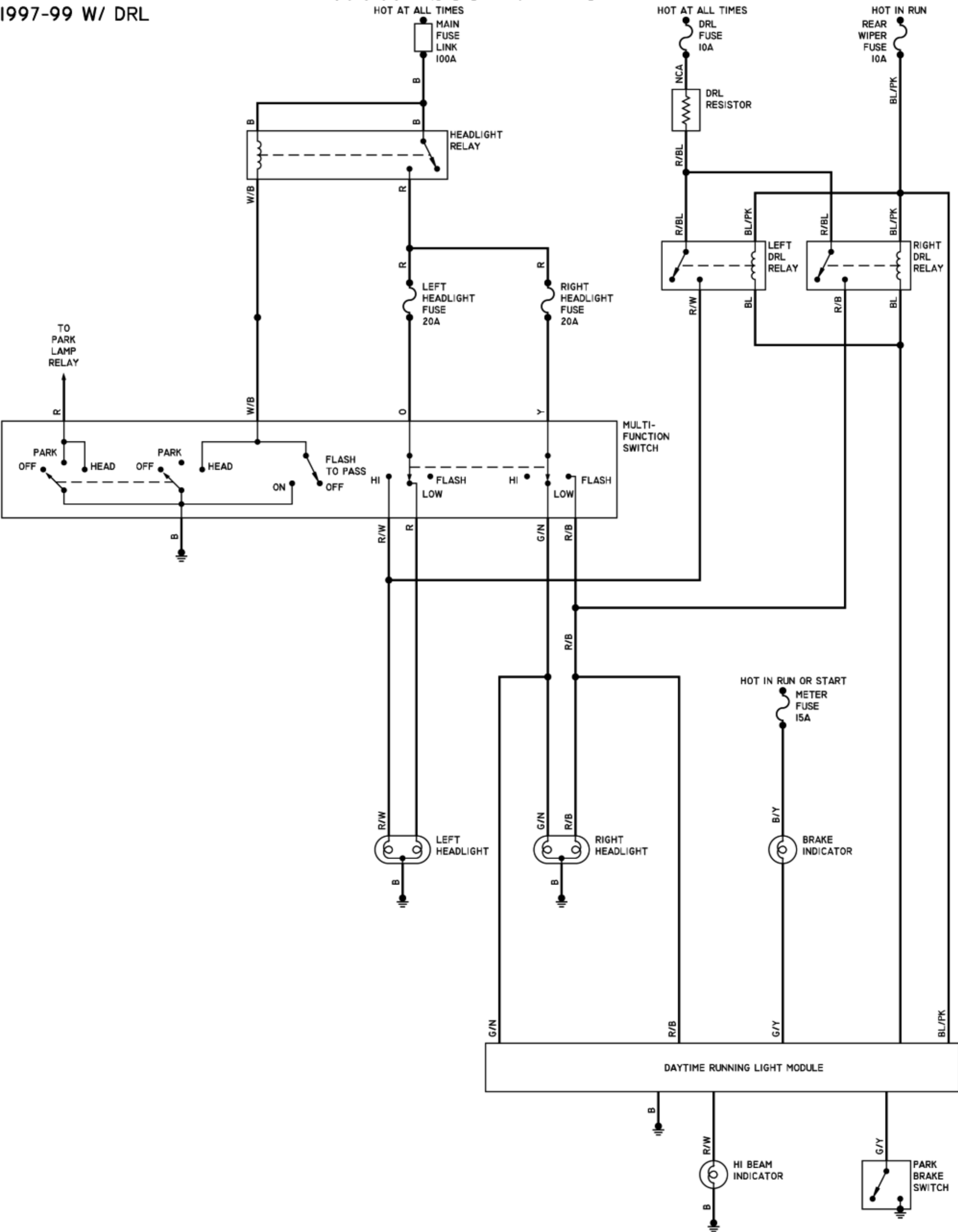
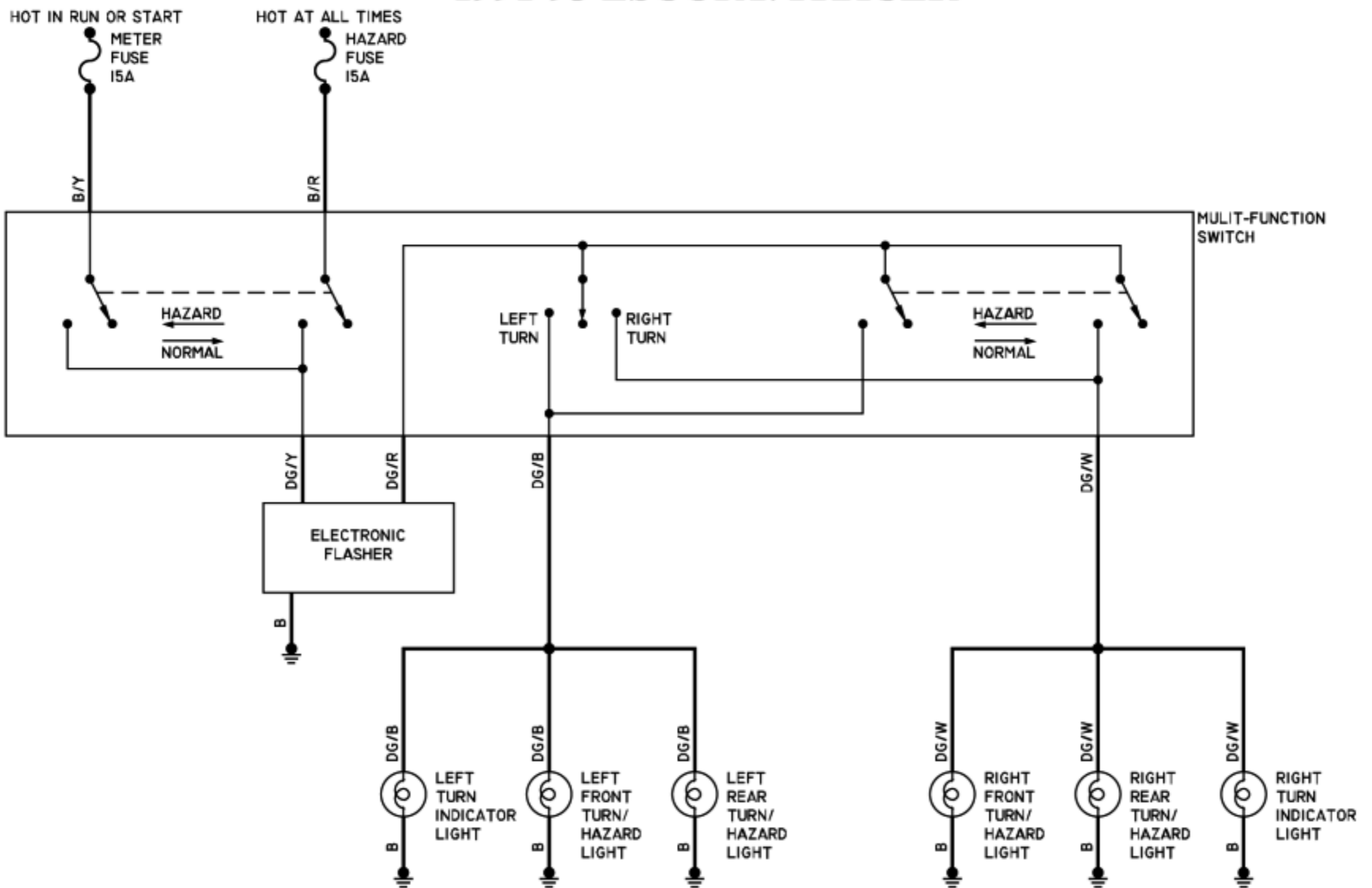


DIAGRAM 16

1991-93 ESCORT/TRACER

1991-92



1993

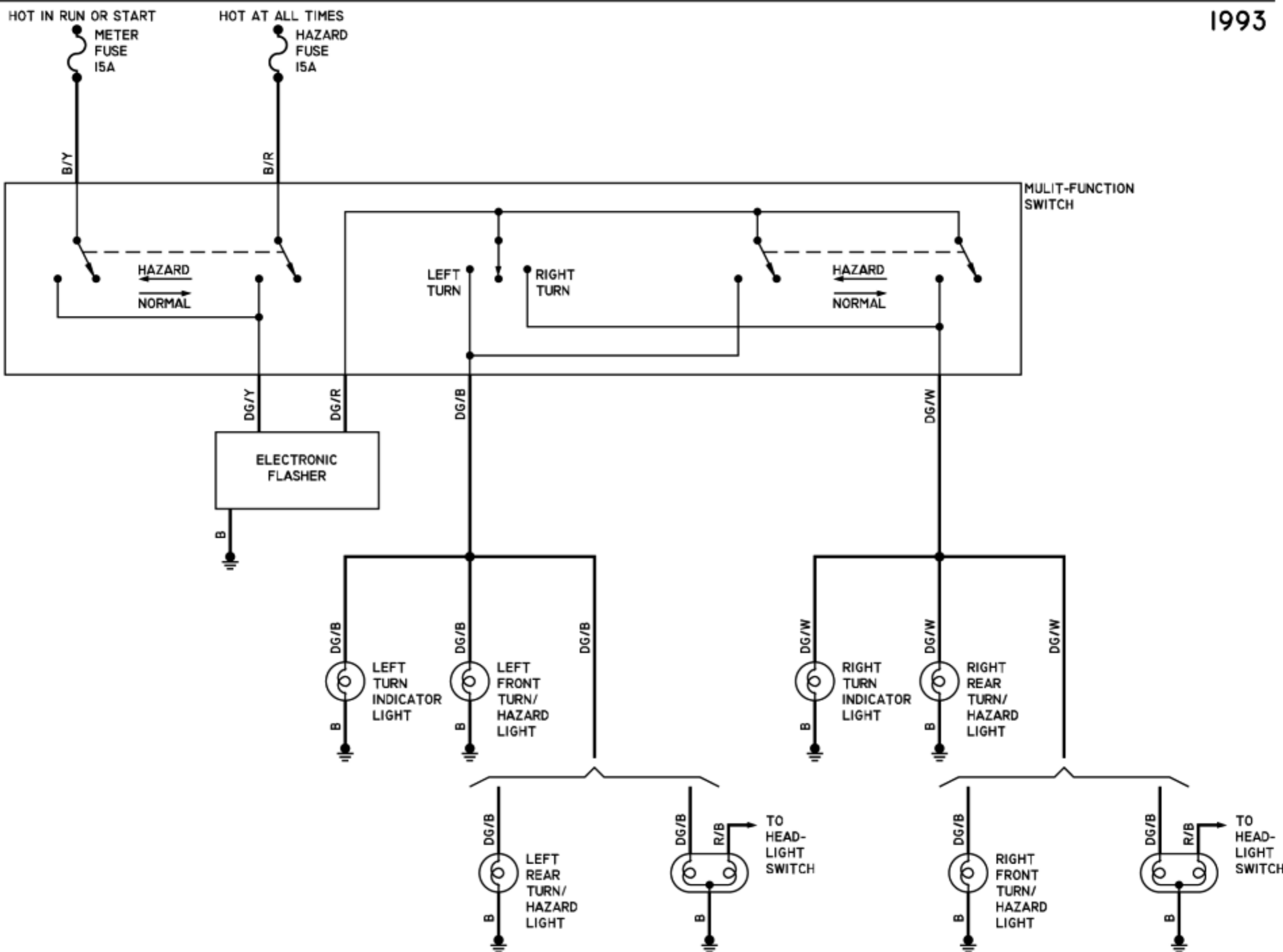


DIAGRAM 21

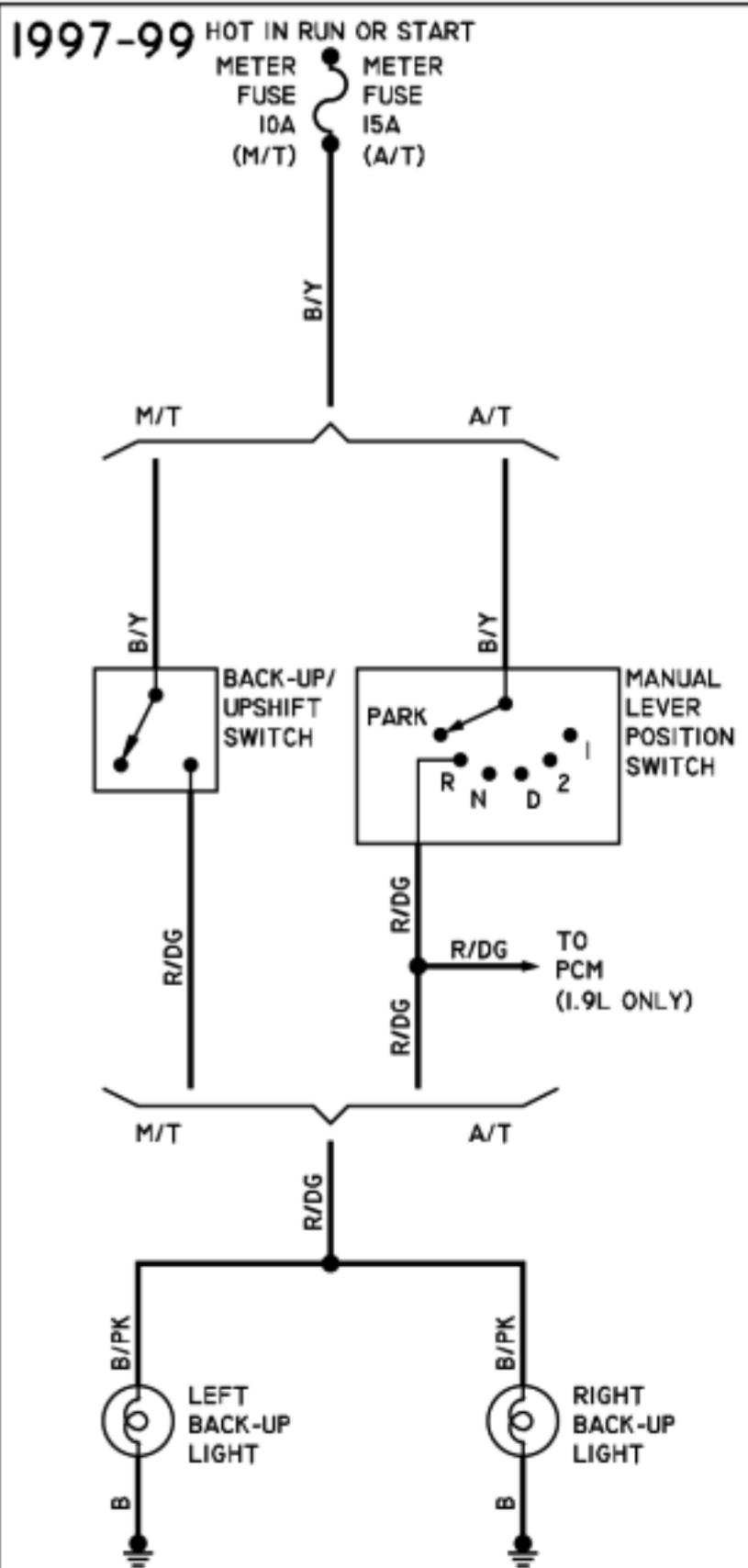
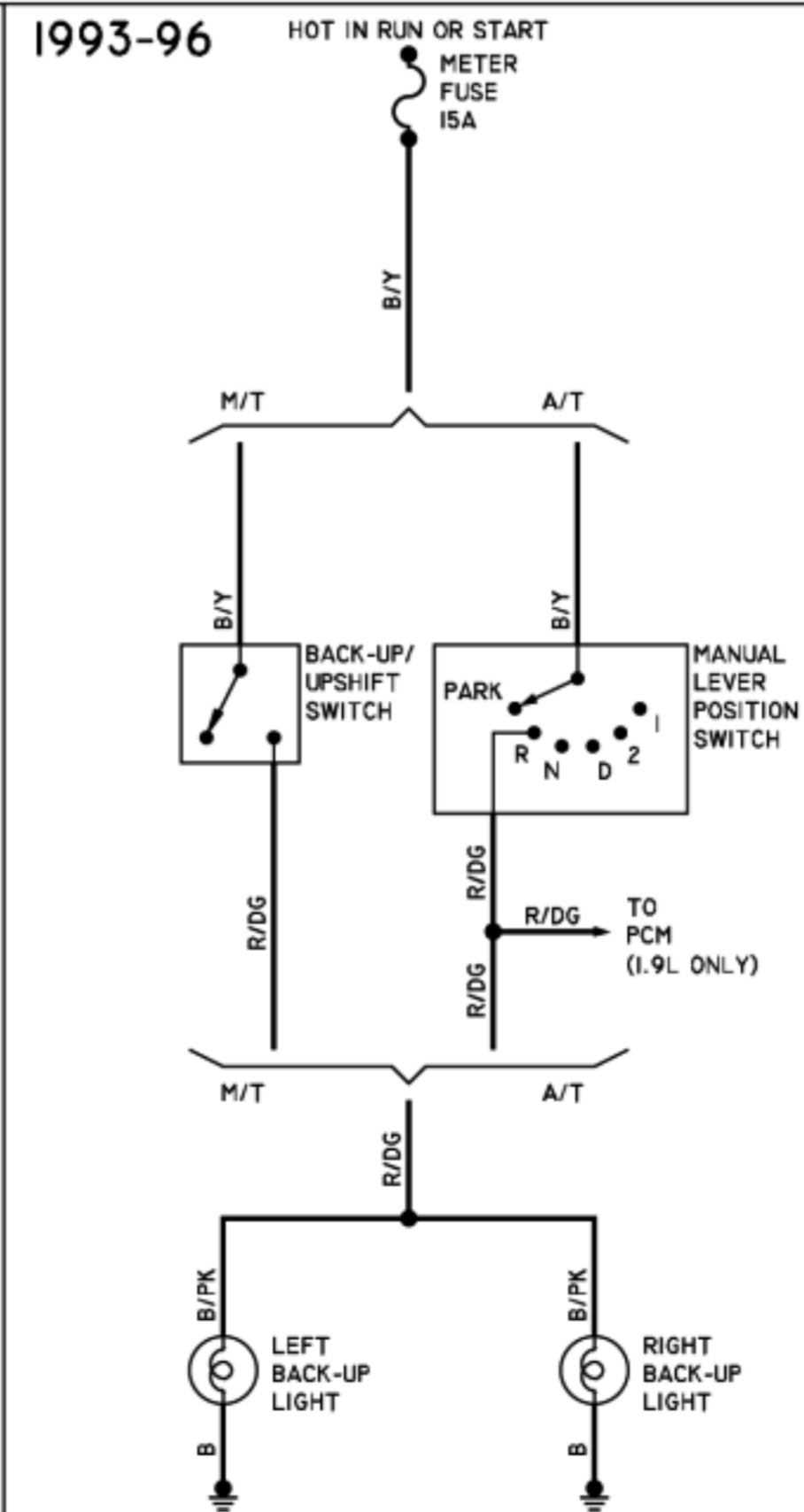
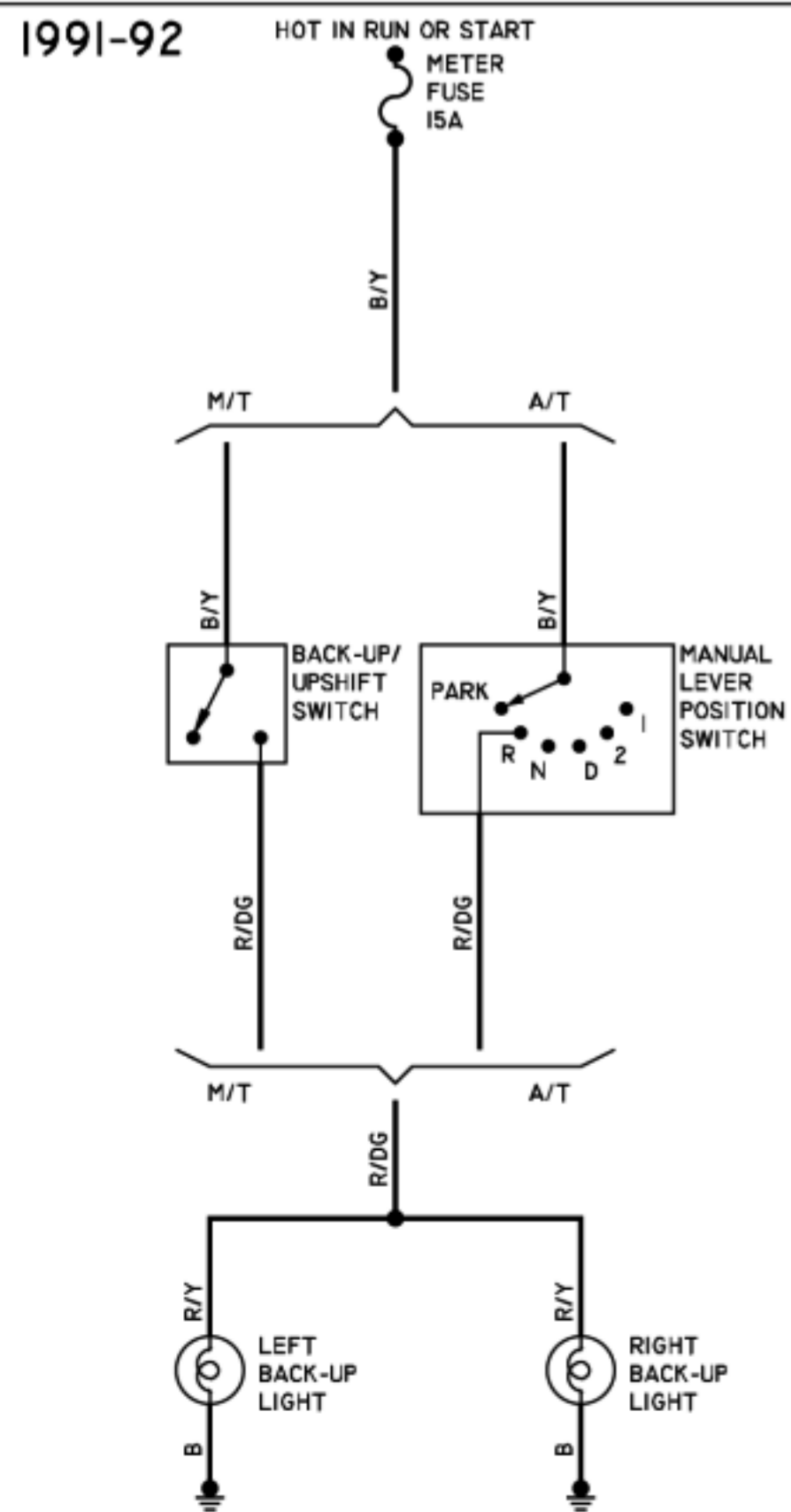
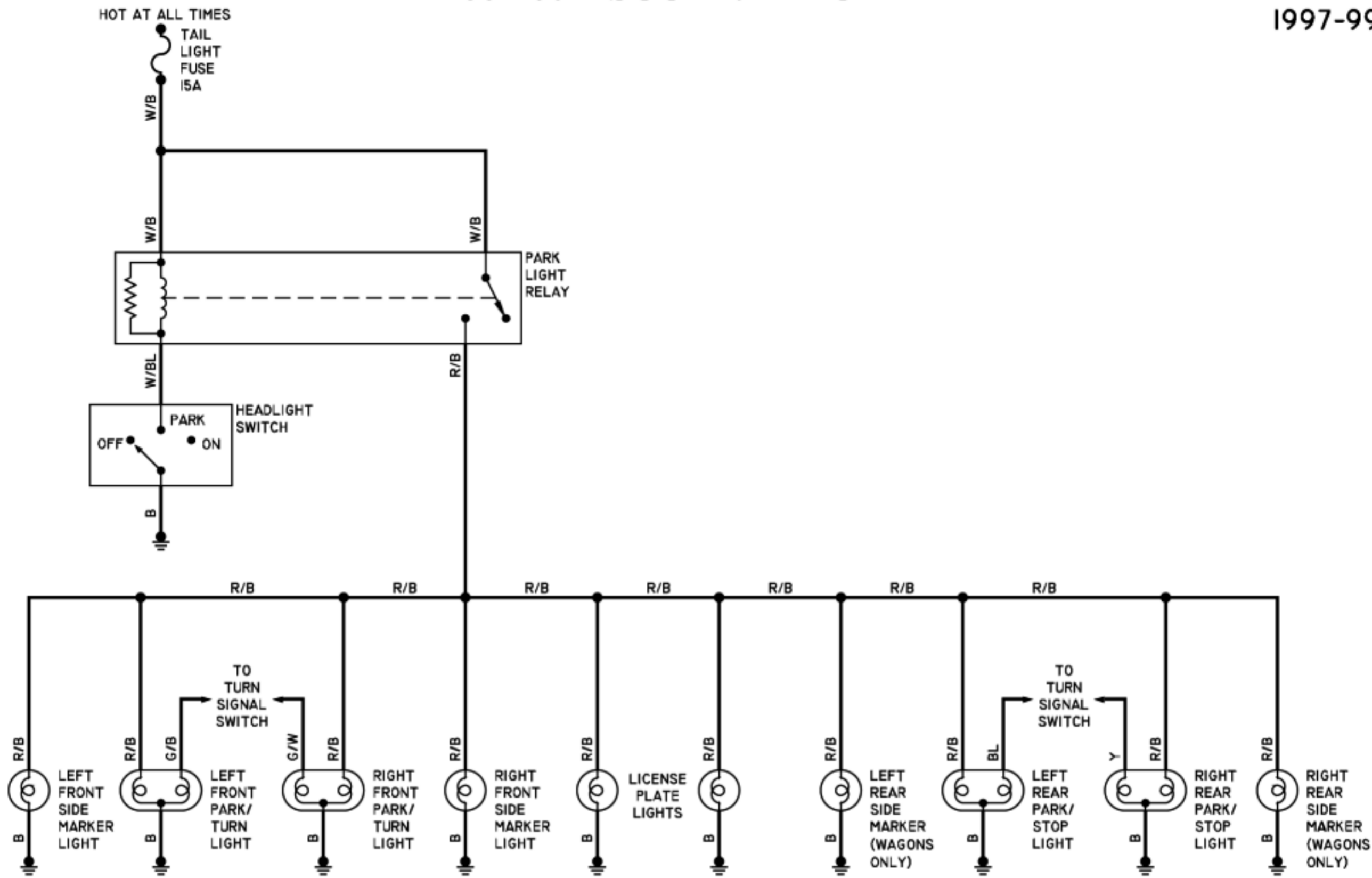


DIAGRAM 18

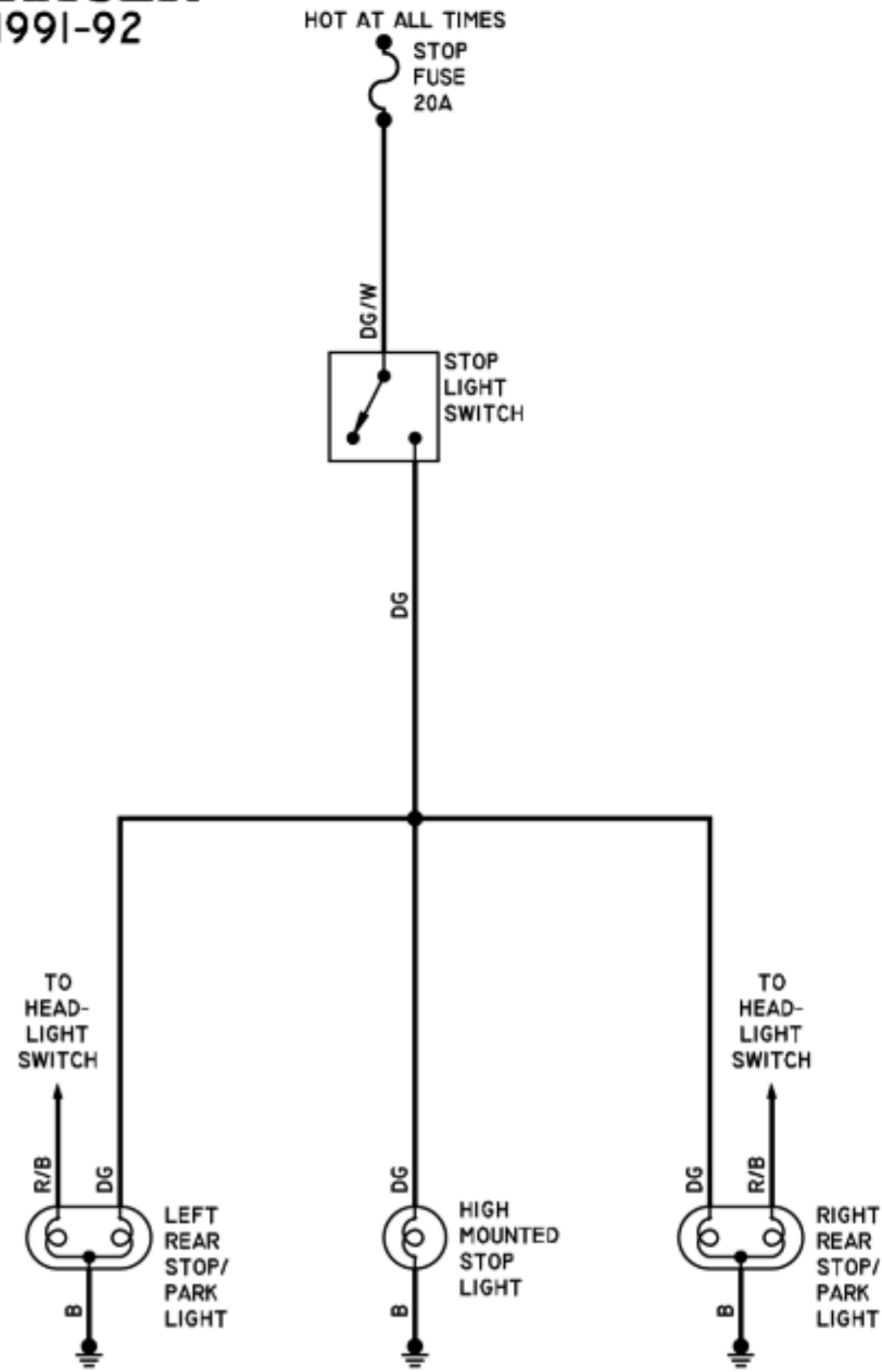
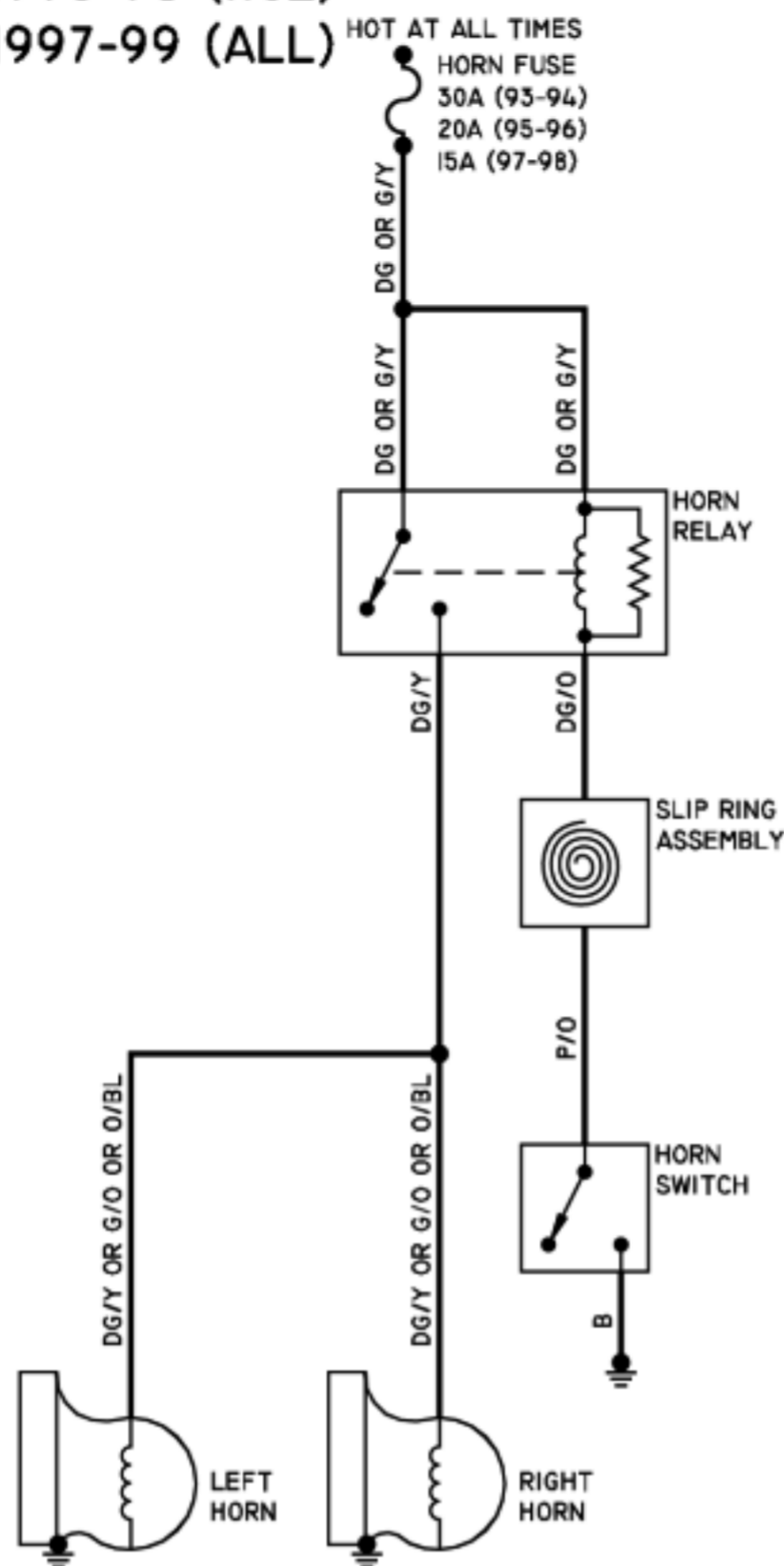
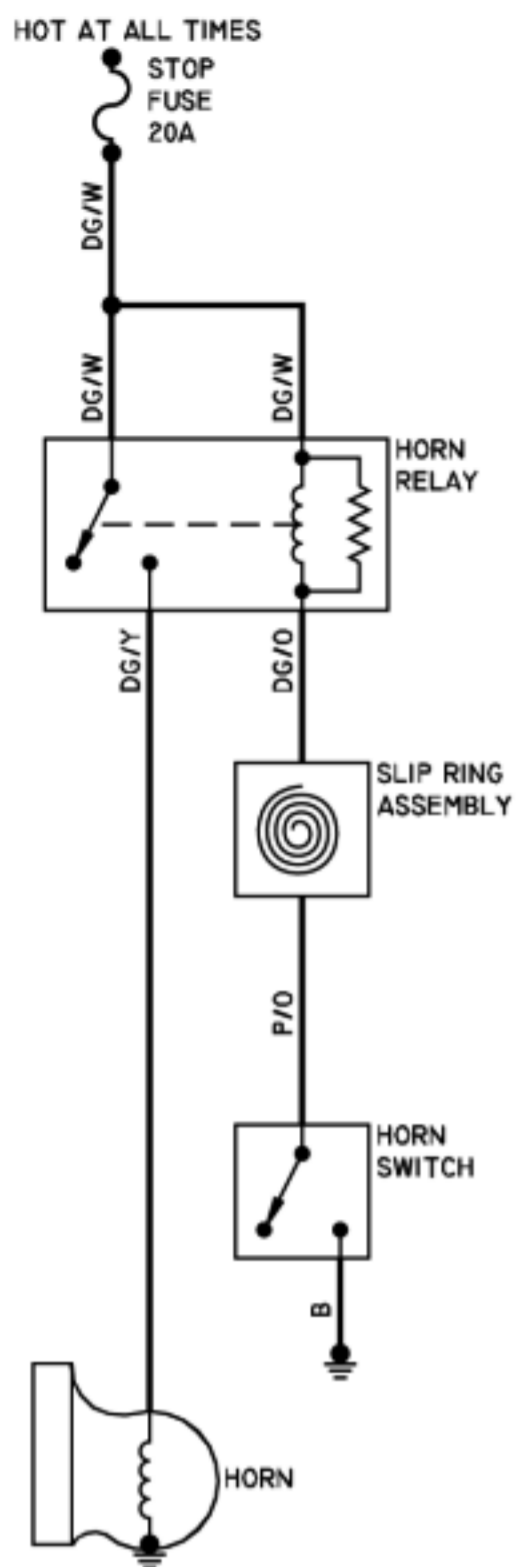
1991-99 ESCORT/TRACER

1991-92(ALL)
1993-96 (1.9L)

1993-96 (1.8L)
1997-99 (ALL)

1991-92

HOT AT ALL TIMES
STOP FUSE 20A



1993-96

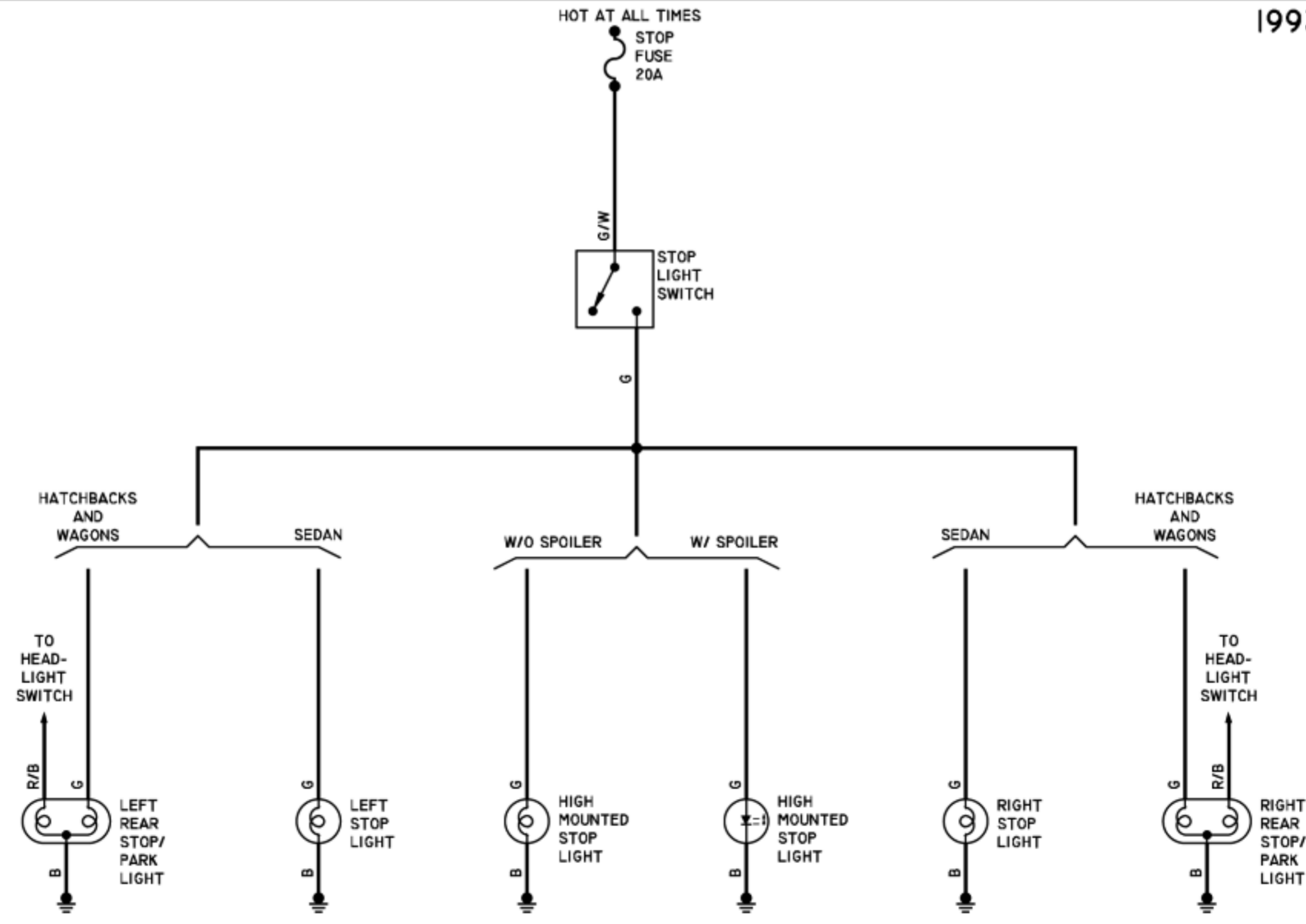


DIAGRAM 19

1994-96 ESCORT/TRACER

1994-96

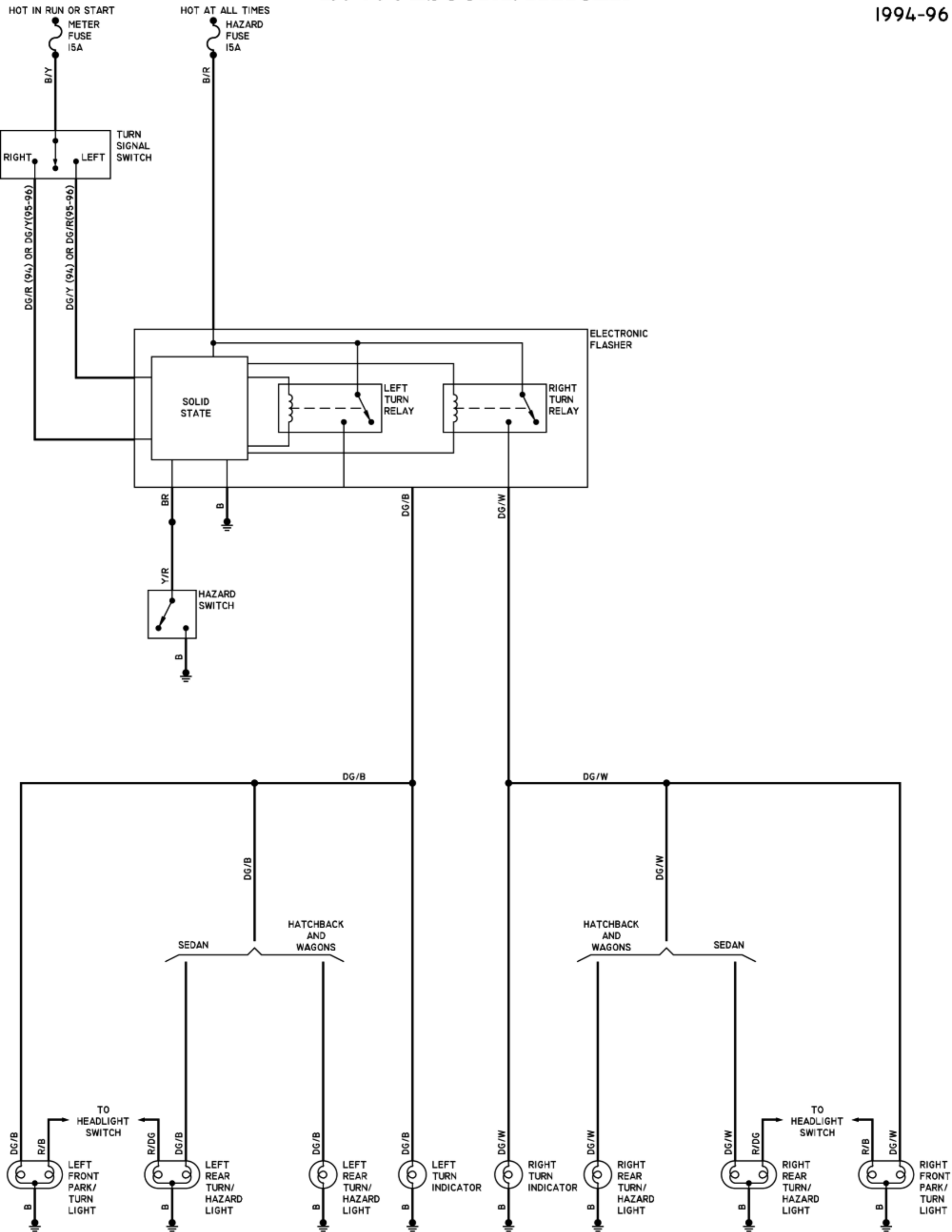
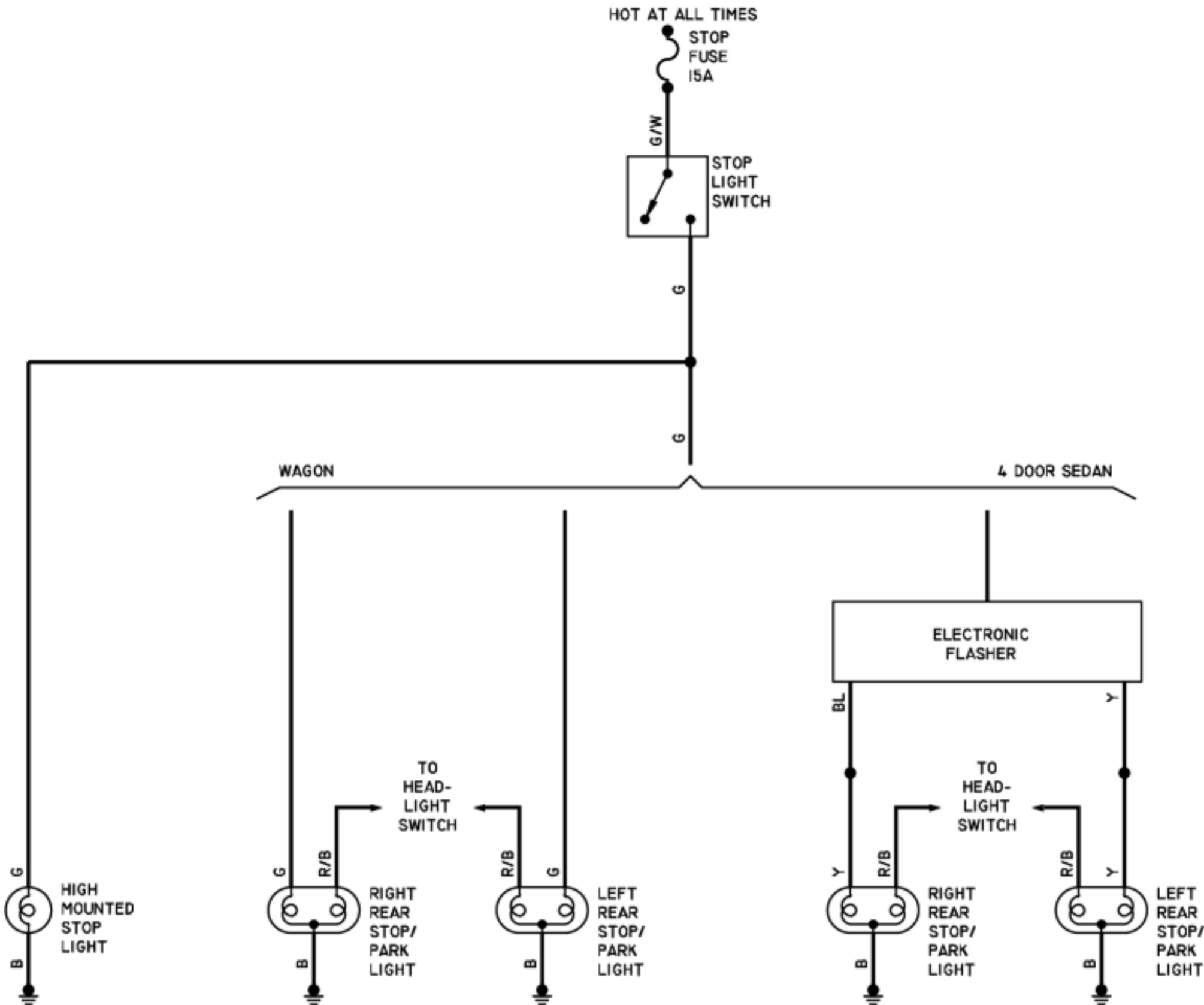


DIAGRAM 22

1997-99 ESCORT/TRACER

1997-99
SEDAN/
WAGON

HOT AT ALL TIMES



1998-99 COUPE

HOT AT ALL TIMES

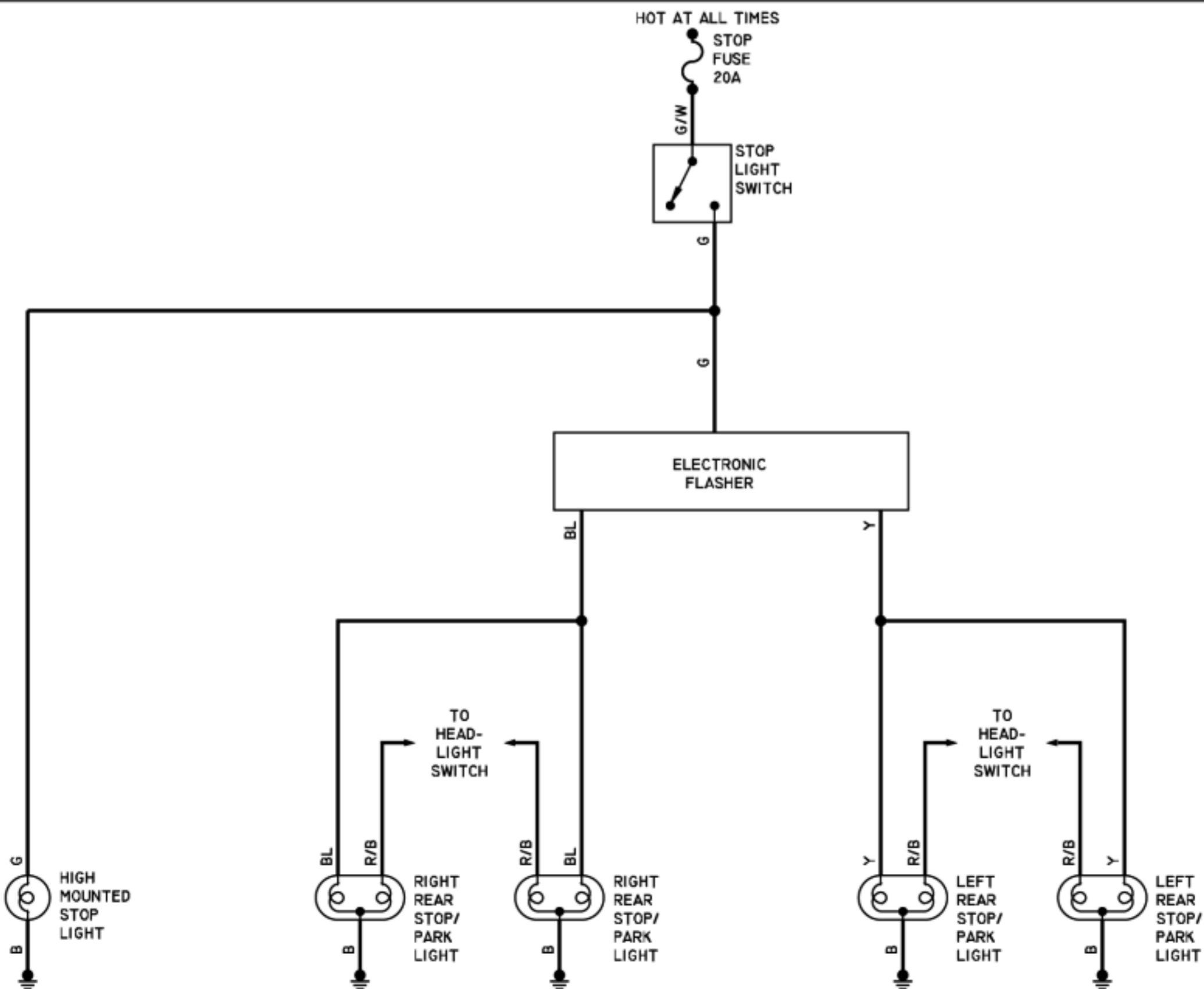


DIAGRAM 20

1997 ESCORT/TRACER

1997

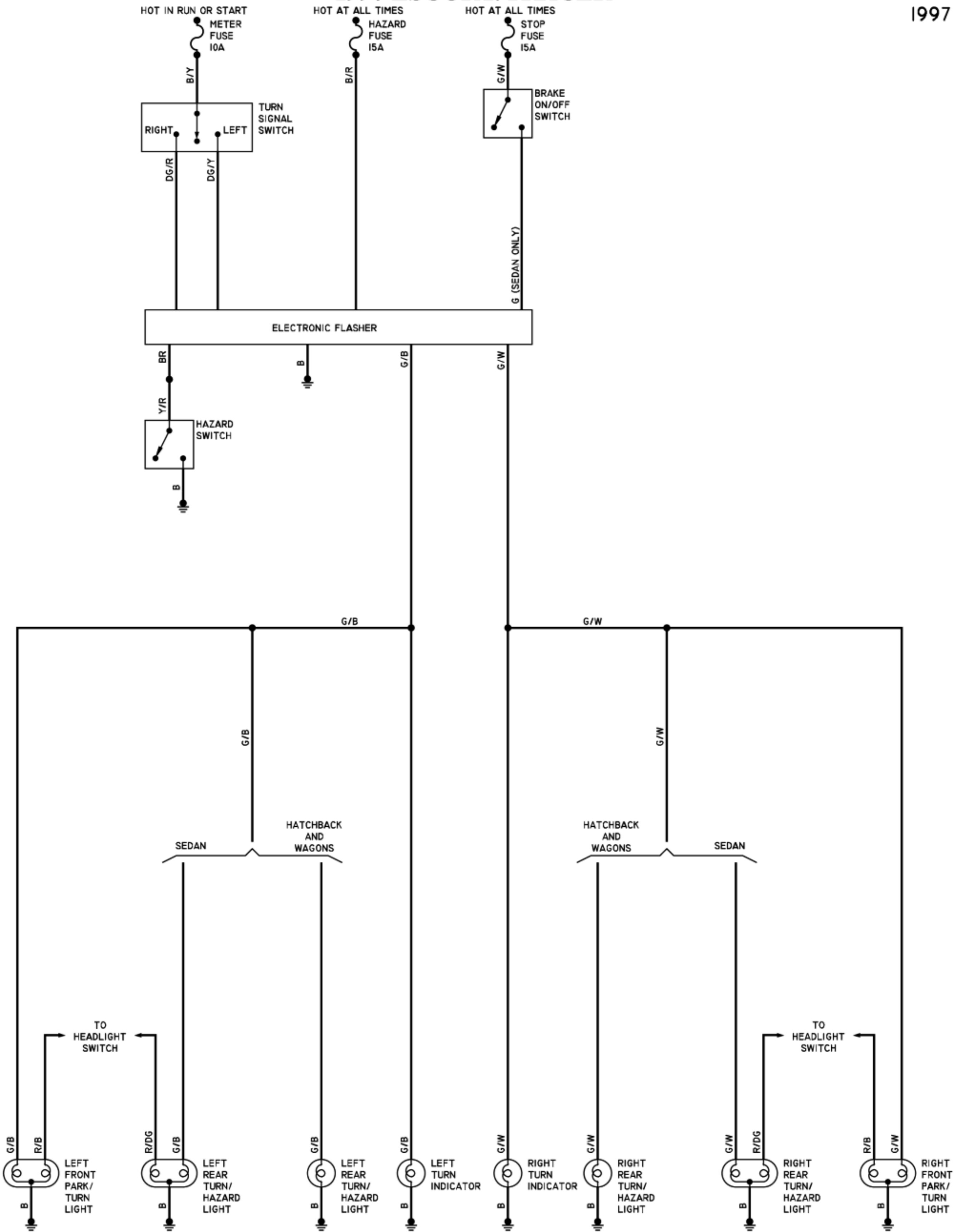


DIAGRAM 23

1998-99 ESCORT/TRACER

1998-99 SEDAN/WAGON

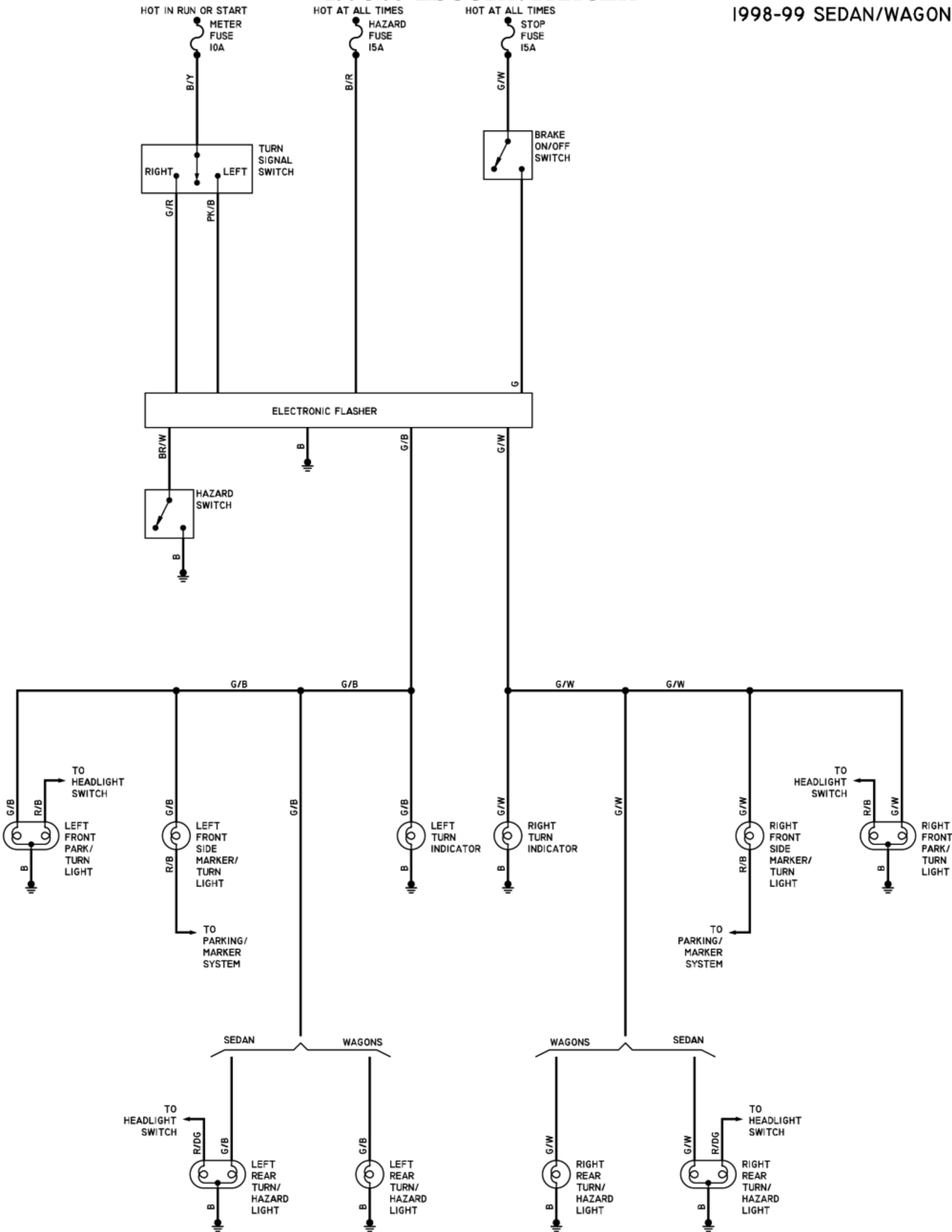


DIAGRAM 24

1998-99 ESCORT COUPE

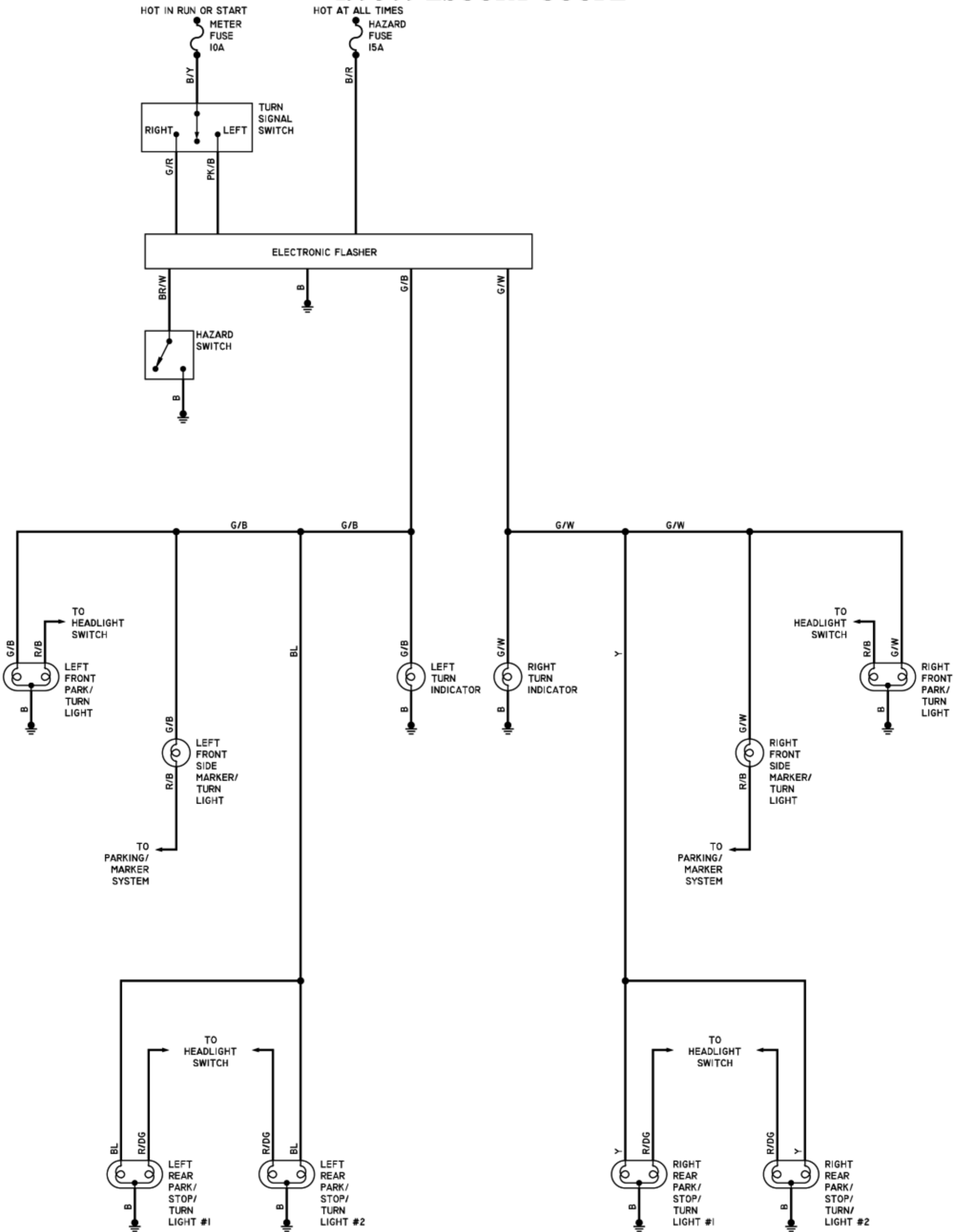


DIAGRAM 25